



# DIAGNOSTIC SERVICE MANUAL AMERICANA & AMERICANA PLUS

RM 2351, RM 2354, RM 2451, RM 2454

RM 2551, RM 2554, RM 2652, RM 2662

RM 2663, RM2852, RM2862 & NDR1062

USA  
SERVICE OFFICE  
Dometic Corporation  
2320 Industrial Parkway  
Elkhart, IN 46516  
574-294-2511

CANADA  
Dometic Distribution  
46 Zatonski Unit 3  
Brantford, Ontario  
CANADA N3T 5L8  
519-720-9578

For Service Center  
Assistance Call:  
800-544-4881



Form No. 3311143.000 02/07  
©2007 Dometic Corporation  
LaGrange, IN 46761

## Foreword

This service manual is the result of the dedication of The Dometic Corporation Technical staff and its engineers in giving service people the necessary instruction for making accurate analyses of certain conditions. Provided is a diagnostic chart leading a qualified mechanic into the service manual pages to locate and solve symptoms which may occur. Dometic has continued its commitment in providing service people with this, the most up-to-date information about servicing Dometic RV accessories.

## SAFETY INSTRUCTIONS

This manual has safety information and instructions to help users eliminate or reduce the risk of accidents and injuries.

### RECOGNIZE SAFETY INFORMATION



This is the safety-alert symbol. When you see this symbol in this manual, be alert to the potential for personal injury.

Follow recommended precautions and safe operating instructions.

### UNDERSTAND SIGNAL WORDS

A signal word, **WARNING OR CAUTION** is used with the safety-alert symbol. They give the level of risk for potential injury.

**⚠ WARNING** Indicates a potentially hazardous situation which, if not avoided, could result in death or serious injury.

**⚠ CAUTION** Indicates a potentially hazardous situation which, if not avoided may result in minor or moderate injury.

**CAUTION** When used without the safety alert symbol indicates, a potentially hazardous situation which, if not avoided may result in property damage.

Read and follow all safety information and instructions.

# CONTENTS

PAGE NO.

---

DIAGNOSTIC FLOW CHART.....	4
----------------------------	---

## SECTION 1

---

### OPERATION

Refrigerator Operation .....	6
------------------------------	---

## SECTION 2

---

### AC VOLTAGE

AC Voltage Requirements.....	9
------------------------------	---

## SECTION 3

---

### AC COMPONENTS

Heating Element .....	10
-----------------------	----

## SECTION 4

---

### DC VOLTAGE

DC Voltage Requirements .....	10
-------------------------------	----

## SECTION 5

---

### DC COMPONENTS

5.1 DC heating Element .....	11
5.2 Thermistor .....	11
5.3 Solenoid Valve.....	11
5.4 Igniter .....	11
5.5 High Voltage Cable .....	12
5.6 Electrode .....	12
5.7 DC Relay.....	12
5.8 Upper Circuit Board .....	13
5.9 Lower Circuit Board .....	13
5.10 Door Switch .....	18
5.11 Climate Control Heater & Switch .....	18
5.12 Low Ambient Switch .....	18
5.13 Fuses .....	18
5.14 Thermofuse.....	18

## SECTION 6

---

### LP GAS

LP Gas Requirements .....	19
---------------------------	----

## SECTION 7

---

### LP GAS COMPONENTS

7.1 Manual Gas Shut-Off Valve .....	19
7.2 Orifice .....	19
7.3 Thermocouple .....	20
7.4 Burner .....	20

# CONTENTS

PAGE NO.

---

## SECTION 7

7.5 Flue Baffle.....	20
7.6 Flue Cap .....	20
7.7 Flue Tube .....	20

---

## SECTION 8

### COOLING UNIT

8.1 Leveling.....	21
8.2 Ventilation.....	21
8.3 Air Leaks.....	23
8.4 Interior Liner Seal to Frame.....	23
8.5 Door Position.....	24
8.6 Ambient Temperature .....	24
8.7 Cooling Unit.....	25
8.8 Food Storage.....	26
8.9 High Humidity .....	26

---

## SECTION 9

### WIRING

9.1 Internal Wiring.....	26
9.2 External Wiring.....	26
9.3 Wiring Schematics.....	26

---

## SECTION 10

### ICE MAKER

10.1 Operation.....	26
10.2 Mold Heater.....	27
10.3 Ice Ejector.....	27
10.4 Mold Thermostat.....	27
10.5 Shut Off Arm.....	27
10.6 Mold Switches.....	27
10.7 Timing Motor.....	28
10.8 Water Valve .....	28
10.9 Ice Maker Replacement.....	28
10.10 Water Fill Adjustment.....	28
10.11 Water Supply.....	29
10.12 Wiring Schematics.....	29

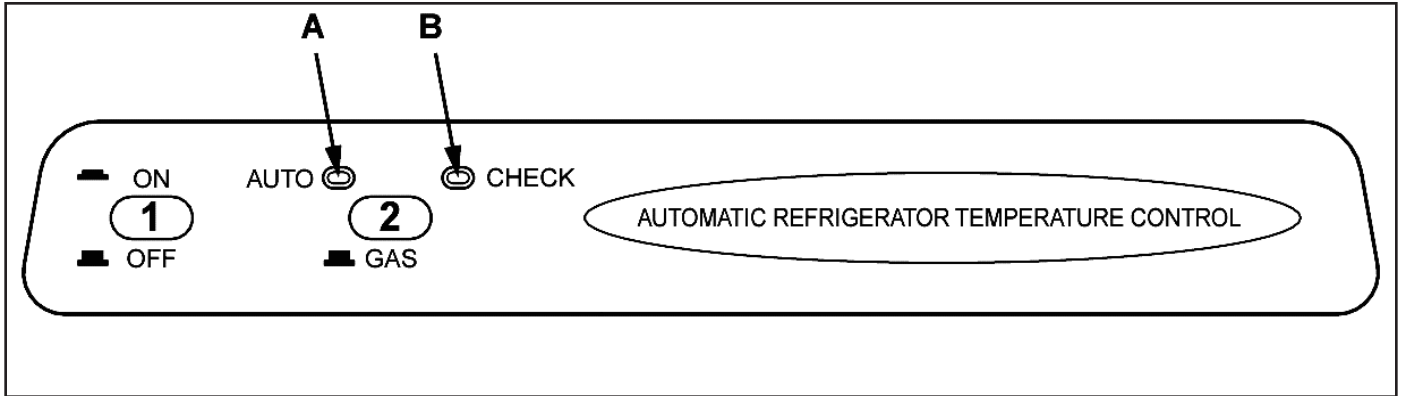
This program will address the most common system problems associated with the RM2351, RM2354, RM2451, RM2454, RM2551, RM2554, RM2652, RM2662, RM2663, RM2852 and RM2862 refrigerators supplied by The Dometic Corporation. Our intent is to provide you with a guideline of checks to make, should you encounter one of the following symptoms.

SYMPTOM	CAUSE	SECTION & PAGE
1. No operation - no panel lights	Operation DC Volts Fuse Wiring Upper Circuit Board Lower Circuit Board	<b>1, page 06</b> <b>4, page 10</b> <b>5, page 18</b> <b>9, page 26</b> <b>5, page 13</b> <b>5, page 13</b>
2. No operation - has panel lights	Operation DC Volts Thermistor Wiring Lower Circuit Board	<b>1, page 06</b> <b>4, page 10</b> <b>5, page 11</b> <b>9, page 26</b> <b>5, page 14</b>
3. No AC operation - operates on gas mode	Operation AC Volts Fuse Heating Element Wiring Lower Circuit Board	<b>1, page 07</b> <b>2, page 09</b> <b>5, page 19</b> <b>3, page 11</b> <b>9, page 24</b> <b>5, page 13</b>
4. No Gas operation - operates on AC mode	Operation LP Gas Manual Gas Valve Igniter High Voltage Cable Electrode Solenoid Wiring Lower Circuit Board	<b>1, page 06</b> <b>6, page 19</b> <b>7, page 19</b> <b>5, page 11</b> <b>5, page 12</b> <b>5, page 12</b> <b>5, page 11</b> <b>9, page 24</b> <b>5, page 13</b>
5. Insufficient cooling on all modes.	Ventilation Leveling Ambient Temperature Air Leaks Thermistor Cooling Unit	<b>8, page 21</b> <b>8, page 21</b> <b>8, page 24</b> <b>8, page 23</b> <b>5, page 11</b> <b>8, page 25</b>
6. Insufficient cooling on AC - cools properly on gas mode.	AC Volts Heating Element Lower Circuit Board	<b>2, page 09</b> <b>3, page 10</b> <b>5, page 13</b>
7. Insufficient cooling on Gas - cools properly on AC mode.	LP Gas Orifice Flue Baffle Flue Tube Burner Lower Circuit Board	<b>6, page 19</b> <b>7, page 19</b> <b>7, page 20</b> <b>7, page 20</b> <b>7, page 20</b> <b>5, page 13</b>
8. Freezes.	Operation Thermistor Lower Circuit Board	<b>1, page 06</b> <b>5, page 12</b> <b>5, page 14</b>

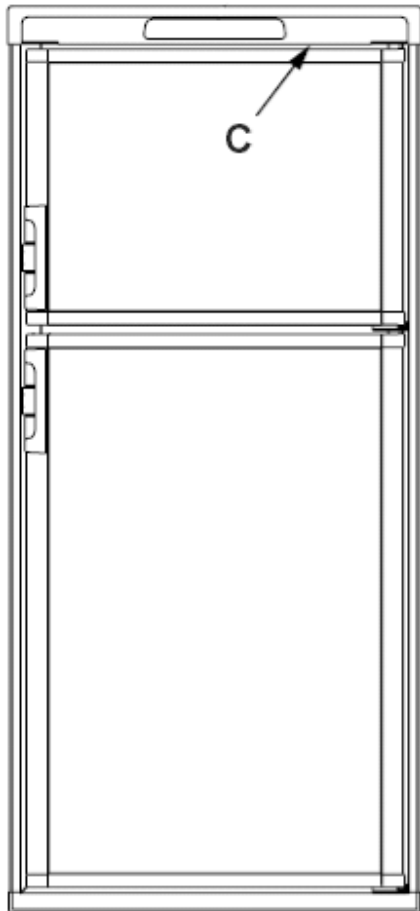
SYMPTOM	CAUSE	SECTION & PAGE
9. Check light on	DC Volts Wiring LP Gas Manual Gas Valve Solenoid Orifice Burner Thermocouple Lower Circuit Board	<b>4, page 10</b> <b>9, page 26</b> <b>6, page 19</b> <b>7, page 19</b> <b>5, page 11</b> <b>7, page 19</b> <b>7, page 20</b> <b>7, page 20</b> <b>5, page 13</b>
10. Interior light on when door is closed	Wiring Low Ambient Switch Door Switch Door Position	<b>9, page 26</b> <b>5, page 18</b> <b>5, page 18</b> <b>8, page 24</b>
11. Rapid formation of frost	Food Storage Interior Liner to Frame High Humidity Air Leaks	<b>8, page 26</b> <b>8, page 23</b> <b>8, page 26</b> <b>8, page 23</b>
12. Water on frame	Interior Liner to Frame High Humidity Air Leaks Climate Control Heater	<b>8, page 23</b> <b>8, page 26</b> <b>8, page 23</b> <b>5, page 18</b>

**SECTION 1**  
**REFRIGERATOR OPERATION**  
**DISPLAY PANEL RM2351, RM2451, RM2551, RM2652, RM2852**  
**AUTO TEMPERATURE CONTROL**

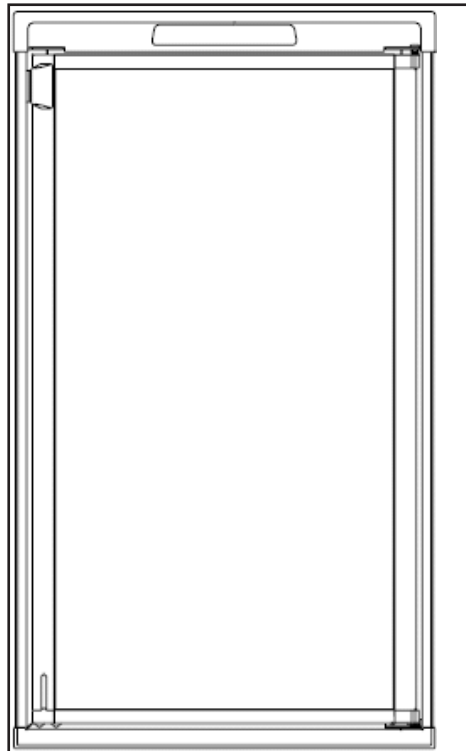
**Refrigerator Control Panel**



RM2652 & RM2852  
 RM2662 & RM2862



RM2451 & RM2551

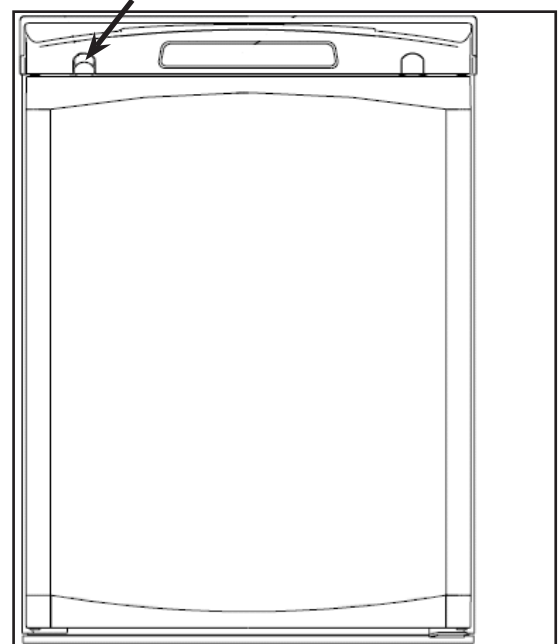


**AMERICANA 2-WAY MODEL**

1. Main Power Button ON/OFF
2. AUTO/GAS Mode Selector Button

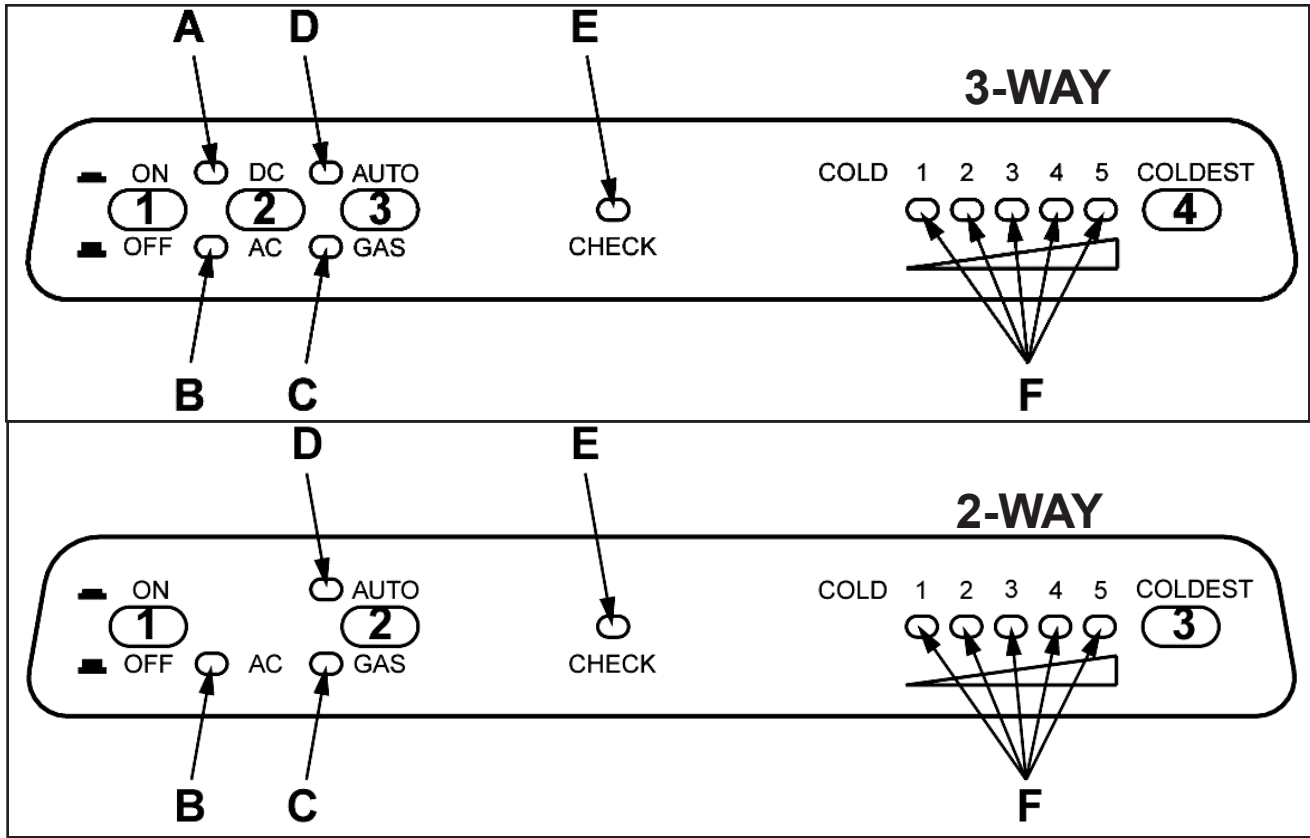
- A. AUTO Mode indicator lamp
- B. CHECK indicator lamp (Gas Mode Only)
- C. Climate control switch only on RM2652 & RM2862

Travel Latch RM2351

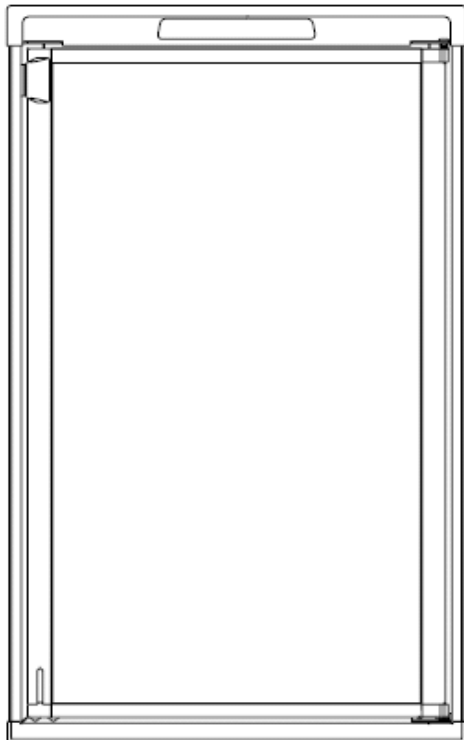


DISPLAY PANEL RM2354, RM2454, RM2554 RM2663 3-way  
 DISPLAY PANEL RM2662, RM2862 2-WAY

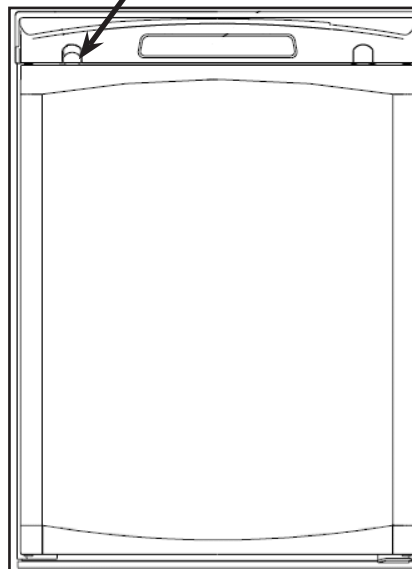
Refrigerator Control Panels



RM2454 & RM2554



Travel Latch RM2354



**3-WAY**

- 1. Main Power Button ON/OFF
- 2. DC Mode Selector Button
- 3. AUTO/GAS Mode Selector Button
- 4. Temperature Selector Button
- A. DC Mode Indicator Lamp
- B. AC Mode Indicator Lamp
- C. GAS Mode Indicator Lamp
- D. AUTO Mode Indicator Lamp
- E. CHECK Indicator Lamp  
(Gas Operation Only)
- F. Temperature Indicator Lamps

**2-WAY**

- 1. Main Power Button ON/OFF
- 2. AUTO/GAS Mode Selector Button
- 3. Temperature Selector Button
- B. AC Mode Indicator Lamp
- C. GAS Mode Indicator Lamp
- D. AUTO Mode Indicator Lamp
- E. CHECK Indicator Lamp  
(GAS Mode Only)
- F. Temperature Indicator Lamps



## OPERATION INSTRUCTIONS

### IMPORTANCE OF LEVELING A REFRIGERATOR

In an absorption refrigerator system, ammonia is liquefied in the finned condenser coil at the top rear of the refrigerator. The liquid ammonia then flows into the evaporator (inside the freezer section) and is exposed to a circulating flow of hydrogen gas, which causes the ammonia to evaporate, creating a cold condition in the freezer. When starting this refrigerator for the very first time, the cooling cycle may require up to four hours of running time before the cooling unit is fully operational. The tubing in the evaporator section is specifically sloped to provide a continuous movement of liquid ammonia, flowing downward by gravity through this section. If the refrigerator is operated when it is not level and the vehicle is not moving, liquid ammonia will accumulate in sections of the evaporator tubing. This will slow the circulation of hydrogen and ammonia gas, or in severe cases, completely block it, resulting in a loss of cooling. Any time the vehicle is parked for several hours with the refrigerator operating, the vehicle should be leveled to prevent this loss of cooling. The vehicle needs to be leveled only so it is comfortable to live in (no noticeable sloping of floor or walls). When the vehicle is moving, the leveling is not critical, as the rolling and pitching movement of the vehicle will pass to either side of level, keeping the liquid ammonia from accumulating in the evaporator tubing.

### OPERATION

Before starting the refrigerator, check that all the manual gas valves are in the ON position. DO NOT forget the manual shutoff valve on the rear of the refrigerator. This refrigerator is equipped with a control system which can be set to automatically select either 120 volt AC or LP gas operation (AUTO mode), or if desired LP gas only (GAS mode) or DC volts (DC Heater) where applicable.

#### Auto Thermostat

In both AUTO mode and GAS mode operation, the temperature is controlled by a factory preset temperature setting. The refrigerator controls will work down to 9.6 volt DC.



### WARNING

**Most LP gas appliances used in recreational vehicles are vented to the outside of the vehicle. When parked close to a gasoline pump, it is possible that the gasoline fumes could enter this type of appliance and ignite from the burner flame, CAUSING A FIRE OR AN EXPLOSION.**

**FOR YOUR SAFETY, when refueling, shut off all LP gas appliances which are vented to the outside.**

## OPERATION Auto Thermostat

- A continuous 12 volt DC supply must be available for the electronic control to function.
- Press the main power ON/OFF button (1) to the DOWN position.
- In AUTO mode, the AUTO lamp A will be illuminated. The control system will automatically select between AC and GAS operation with AC having priority. The temperature is controlled by a factory preset temperature setting.
- In GAS mode operation, no lamps will be illuminated and the temperature is controlled by a factory preset temperature setting.

## OPERATION Adjustable Thermostat

- A continuous 12 volt DC supply must be available for the electronic control to function.
- Press the main power ON/OFF button (1) to the DOWN position.
- In AUTO mode, the AUTO lamp D will be illuminated. The control system will automatically select between AC and GAS operation with AC having priority. Temperature is selected by the user.
- In GAS mode operation, the GAS lamp C will be illuminated and only operate on LP only. Temperature is selected by user.
- In DC mode, the DC lamp A will be illuminated and the unit will only operate on DC until DC volts drops below 9.6 VDC.

### Auto Mode

Press the AUTO/GAS button 2 (Auto Thermostat) or button 3 (Adjustable Thermostat) to the DOWN position. The AUTO mode indicator lamp (A auto or D adjustable thermostat) will illuminate. If 120 volts AC is available, the control system will select AC operation. If 120 volts AC is not available, the control system will automatically switch to GAS operation. Within 45 seconds the burner should be ignited and operating normally. If the CHECK indicator lamp (B auto or E adjustable thermostat) illuminates, the control has failed to ignite the burner on GAS. To reset when the CHECK indicator lamp, press the main power ON/OFF button (1) to the OFF then ON position. Systems with the new lower control board are a three (3) try system on gas. On the initial refrigerator start-up on gas (120 volts AC is not available), it may take longer than 45 seconds to allow air to be purged from the gas line. If the refrigerator has not been used for a long time or the LP tanks have just been refilled, air may be trapped in the supply lines. To purge the air from the lines may require resetting the main power ON/OFF button (1) three or four times. If repeated attempts fail to start the LP gas operation, check to make sure that the LP gas supply tanks are not empty and all manual shutoff valves in the lines are open.

**Note:** Do not continue to reset GAS operation if the CHECK indicator lamp continues to be illuminated after several tries.

## **GAS Mode**

Move the AUTO/GAS button 2 (Auto Thermostat) or button 3 (Adjustable Thermostat) to the UP position. The AUTO mode indicator lamp (A) will go off. Within 45 seconds the burner should be ignited and operating normally.

## **DC Mode 3 Way Units Only**

Press the DC mode indicator button (2) to the DOWN position. (Lamp [A] will light). Press the TEMPERATURE SELECTOR button (4) until the lamp (F) at the desired position is illuminated. The refrigerator will continue to operate in the DC mode until switch (2) is moved to the UP position or control voltage falls below 9.6 VDC. The DC mode overrides all the other operating modes. Discharging of the battery will occur if the vehicle engine is not running.

**Note: The DC mode is a holding mode not a full cooling mode. DC should be used once the unit is cooled down and constant supply of DC available (driving down the road).**

## **To Shut Off The Refrigerator**

The refrigerator may be shut off while in any mode of operation by pressing the main power ON/OFF button to the UP (OFF) position. This shuts off all DC power to the control system.

## **Description Of Operating Modes**

### **Auto Mode**

When operating in the AUTO mode, the AUTO mode indicator lamp (A) will illuminate. The control system will automatically select between AC and GAS operation with AC having priority over GAS. If the control system is operating with AC energy and it then becomes unavailable, the system will automatically switch to GAS. As soon as AC becomes available again the control will switch back to AC operation. **Gas operation** (120 volts AC is not available). The control system will activate the ignition system and will make three attempts to light the burner for a period of approximately 45 seconds with two minutes rest (purge) interval. If unsuccessful, the CHECK indicator lamp (B) will illuminate. To restart an ignition attempt with the CHECK lamp illuminated or to clear (turn off) the CHECK lamp, press the main power ON/OFF button to the OFF position and wait a few seconds, then return to the ON position. The control system will attempt a new ignition sequence. If 120 volts AC becomes available while the CHECK indicator lamp is on, the CHECK lamp will not turn off until the main power ON/OFF button is pressed to the OFF then ON position but the unit will operate on AC.

### **Gas Mode**

When operating in the GAS mode, the AUTO mode indicator lamp (A) will be off. This mode provides LP gas operation only. The control system will activate the ignition system and will make three attempts to light the burner for a period of approximately 45 seconds with two minutes

a period of approximately 45 seconds with two minutes (purge) interval after each trial. If unsuccessful, the CHECK indicator lamp (B) will illuminate. To restart GAS operation, press the main power ON/OFF button (1) to the OFF and then ON position. The control system will attempt a new ignition sequence. If the refrigerator has not been used for a long time or the LP tanks have just been refilled, air may be trapped in the supply lines. To purge the air from the lines may require resetting the main power ON/OFF button (1) three or four times. If repeated attempts fail to start the LP gas operation, check to make sure that the LP gas supply tanks are not empty and all manual shutoff valves in the lines are turned on.

## **DC Mode 3 Way Units Only**

Press the DC mode indicator button (2) to the DOWN position. (Lamp [A] will light). Press the TEMPERATURE SELECTOR button (4) until the lamp (F) at the desired position is illuminated. The refrigerator will continue to operate in the DC mode until switch (2) is moved to the UP position or control voltage falls below 9.6 VDC.

The DC mode overrides all the other operating modes. Discharging of the battery will occur if the vehicle engine is not running.

**Note: The DC mode is a holding mode not a full cooling mode. DC should be used once the unit is cooled down and constant supply of DC available (driving down the road).**

## **To Shut Off The Refrigerator**

The refrigerator may be shut off while in any mode of operation by pressing the main power ON/OFF button to the UP (OFF) position. This shuts off all DC power to the control system.

## **Limp Mode**

This control system contains a feature where it will continue to operate the cooling system in event of a failure of a major operating component. If the control cannot read the temperature sensor and control to the preset temperature, then the control will run the cooling unit continuously at the energy source available. The refrigerator will continue to operate in this mode indefinitely or until a new sensor is installed and the system is reset.

## **SECTION 2 AC VOLTAGE**

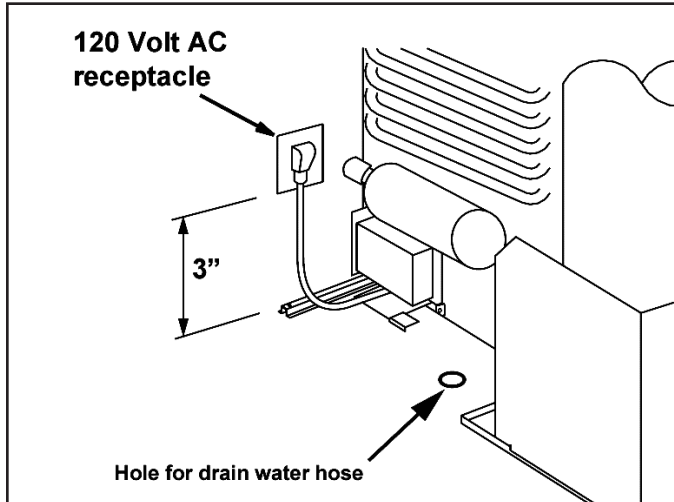
### **AC VOLTAGE REQUIREMENTS**

#### **⚠ WARNING**

**This is an energized circuit. Shock can occur if not tested properly. Testing is to be done by a qualified service technician.**

The proper operating range is 100 to 132 volts. If voltage drops below 100 volts, cooling efficiency will decrease with voltage decrease.

The refrigerator will not switch to another mode of operation until all AC power is lost. The refrigerator is equipped with a three-prong (grounded) plug for protection against shock hazards, and should be plugged directly into a properly grounded three-prong receptacle.



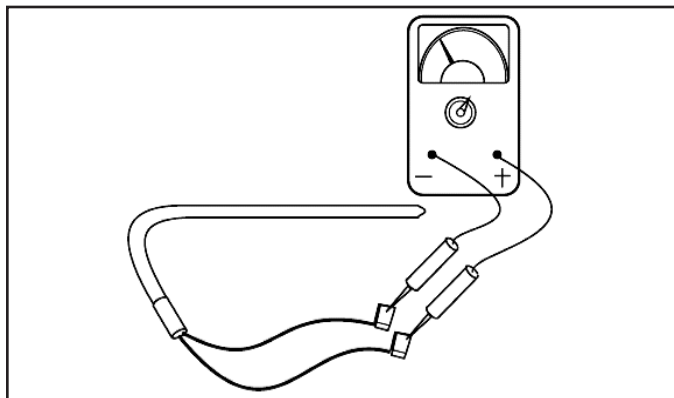
### SECTION 3 AC COMPONENTS

#### Heating Element

The heating element is designed to deliver a predetermined amount of heat to the cooling unit. To check a heating element, remove the heater leads from the printed circuit board and measure for proper resistance across the two leads with a properly calibrated ohm meter. This check is to be done with the heating element at room temperature. You should obtain the following readings  $\pm 10\%$ :

Model	WATTS	OHMS	AMPS
RM2351-4	175	80	1.5
RM2451-4	175	80	1.5
RM2551-4	175	80	1.5
RM2652	325	44	2.7
RM2662-3	325	44	2.7
RM2852	325	44	2.7
RM2862	325	44	2.7

Never over or under size the AC heater.



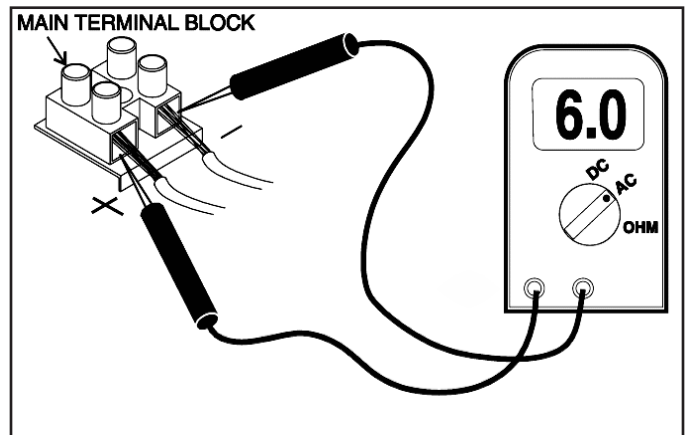
### SECTION 4 DC VOLTAGE

#### DC Voltage Requirements

Clean Direct Current (DC) power is mandatory for high-tech circuits to operate as designed. A battery will provide straight line DC power. The converter and alternator produce DC power by a series of diodes that rectify alternating current to DC. The Dometic control system will only tolerate up to 6 AC volts on the DC line. AC ripple can be measured by a digital voltmeter set on the AC scale at the main DC terminal block connections at the refer. Six volts AC or less is acceptable. If AC volts exceed 6 on the DC incoming line the power source should be cleaned up. AC voltage in excess of 6 volts will affect the processor and create erratic operation. When testing for AC ripple on the DC line put a load on the converter. The operational range of the unit is a minimum of 9.6V DC to a maximum of 22V DC. The unit will automatically shut down until voltage has decreased to 18V DC. The refrigerator requires at least 9.6V DC for proper operation; however the panel lights will continue to illuminate until voltage has dropped to 4V DC or below. **Do not** use the body or chassis of the RV as a substitute for either of the two conductors. The refrigerator must be connected to the battery circuit with two wires of adequate capacity to avoid voltage drop. Proper polarity is crucial for refrigerator operation.

**No other electrical equipment or lighting should be connected to the refrigerator circuit.** Just because you can read volts does not mean you have the amps to operate the control system. If relays buzz, lights go dim or out during operation, this could indicate there is a loose connection somewhere.

#### Main Terminal Block



#### Grounds

The operation of the Dometic refrigerator is also dependent on good, clean ground connections. Loose or corroded ground terminals create an unknown resistance factor that can affect the voltage detected by the Power Module. A loose negative DC wire will create a negative millivolt signal that the control board will pick up and create erratic operation. Check the integrity of the grounds from the refrigerator all the way to the power source/battery. Clean or tighten any suspicious looking connections.

**Note:** The DC terminal block below the control board should be cleaned and tightened at the 4 wires.

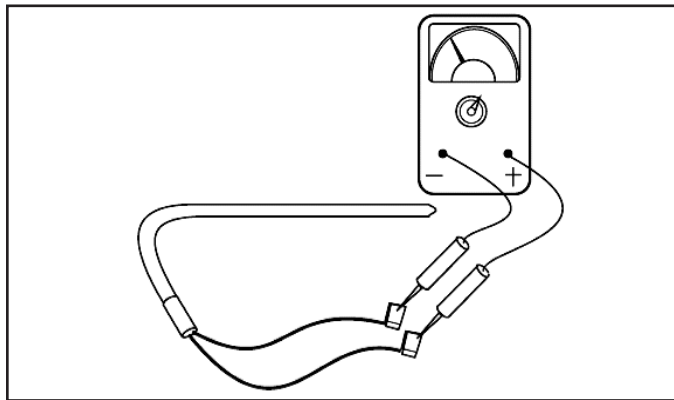
## SECTION 5 DC COMPONENTS

### 5.1 DC Heating Element

Remove the heater leads from the lower circuit board or relay and measure for proper resistance across the two leads. You should obtain the following readings  $\pm 10\%$ :

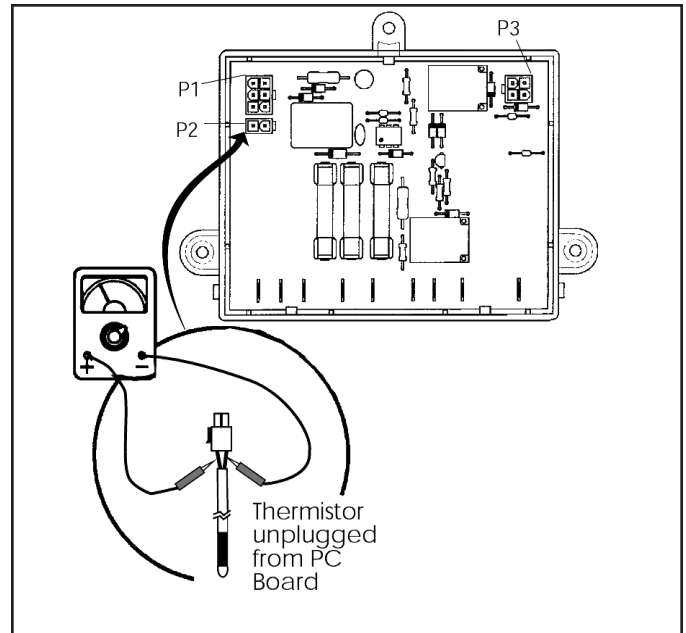
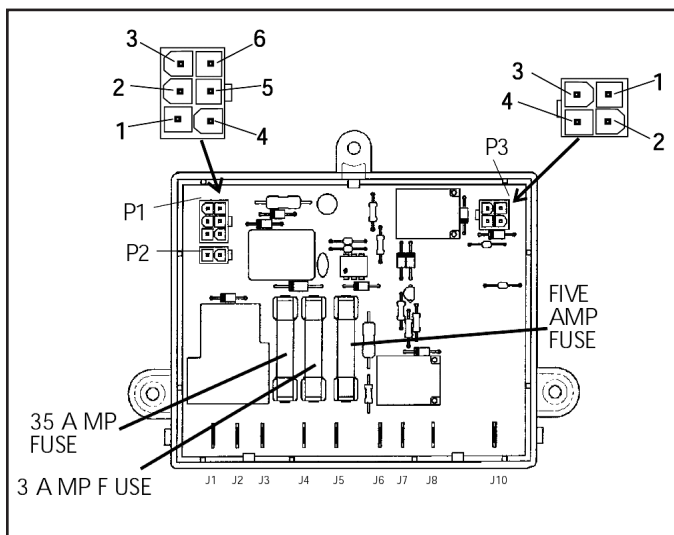
Model	Watts	Amps	Volts	Ohms
RM2354	150	12.5	12	.96
RM2454	175	15.0	12	.80
RM2554	175	15.0	12	.80
RM2663	215	18.0	12	.67

NOTE: The DC mode is a holding mode not a full cooling mode. DC should be used once the unit is cooled down on gas or AC and driving (constant supply of DC) down the road. A continuity reading will indicate an open or complete circuit. Never over or under size the DC heater.



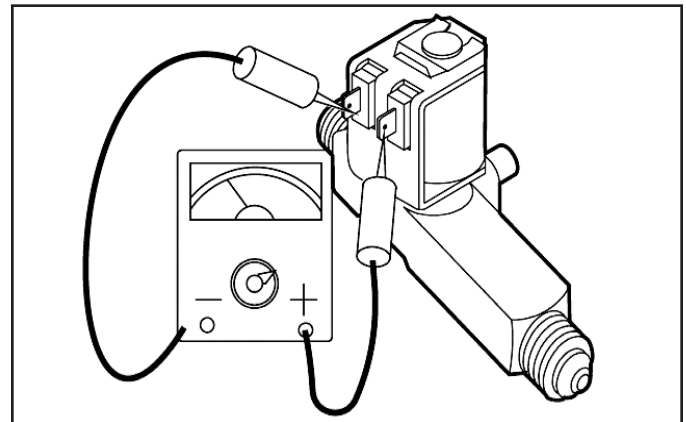
### 5.2 Thermistor

Disconnect the thermistor harness from the P2, 2-pin terminal on the lower circuit board. Place the thermistor in a glass of ice water (more ice than water), approximately 33° F to 35° F. Wait 8 to 10 minutes. You should get a reading of approximately 8,000 to 10,000 ohms. Always test from the wire side as shown with the meter as not to create a connection problem at the P2 connector.



### 5.3 Solenoid Valve

Check the solenoid coil with a properly calibrated ohm meter. Remove the connectors from the solenoid and measure the resistance across the terminals. The proper reading would be 49 ohms with tolerance range of ten percent. Failure of the solenoid is very unlikely. Next, hook up a manometer at the test port. Then check for DC volts at gas valve terminals (Yellow + White -) while the unit is in trial-for-ignition. If DC volts are present and pressure is low, replace the valve. If DC volts are not present at the valve while the unit is in trial-for-ignition, verify that the wire at Plug 3, Terminal 2 on lower circuit board has DC volts (9 or more).



### 5.4 Igniter

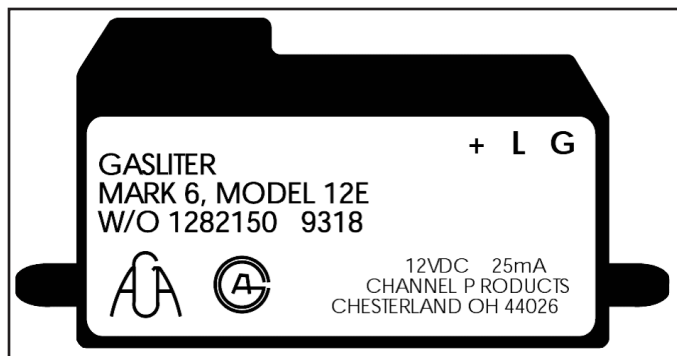
The igniter used on Dometic model refrigerators operates on 12 volt DC. On gas operation the igniter senses the resistance through the flame between the electrode and burner. When there is no flame at the burner, the resistance is high and the igniter begins sparking to light the burner. As soon as the flame is lit, the resistance between the electrode and burner drops and the igniter stops sparking. The resistance is monitored by the igniter, and, if for any reason the flame goes out, the igniter begins sparking until the burner is lit. The resistance between the electrode and burner drops and the igniter stops sparking.



## ⚠ WARNING

**This is an energized circuit. Shock can occur if not tested properly. Testing is to be done by a qualified service technician.**

This insures that the flame will always be lit when desired. First verify proper voltage at the positive (Yellow +) and ground (Black -) terminals of the igniter. The reading should be within 1.5 volt of incoming voltage at the main terminal block during trial-for-ignition. Next, remove the high voltage cable from the igniter. The igniter should produce a sparking sound during trial-for-ignition. If not, replace the igniter. While operation is in the gas mode, the power module and igniter are constantly monitoring the presence of flame. If the flame is blown out, the reignitor will immediately start sparking. When the power module senses the loss of flame (thermocouple voltage below 13 MVDC) the 45 seconds trial for ignition period is started. The igniter installed on the refrigerators as original equipment is part number 2931132019 (RV Gas Model 679). This igniter is rated 50 MA. This igniter may also be used on any other model. When replacing the igniter always provide the product number for proper replacement. **DO NOT** install the Channel Mark 6, Model 12 E igniter (shown below) as a service replacement part. Installation of the Channel Products, Inc., Gasliter Mark 6, Model 12 E, will VOID the Warranty on the refrigerator. To acquire the proper igniter always provide the product number.

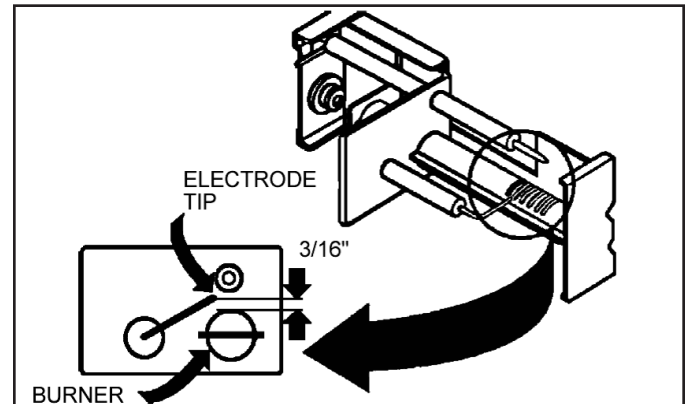


## 5.5 High Voltage Cable

If sparking starts during trial-for-ignition, the cable is good. If there is no sparking during trial-for-ignition, disconnect DC power at the refrigerator terminal block or switch unit off. Disconnect high voltage cable from electrode. Reconnect DC power. If there is a sparking sound from the igniter during trial-for-ignition, then replace high voltage cable or electrode. On newer units the electrode and high voltage cable are integrated into one component.

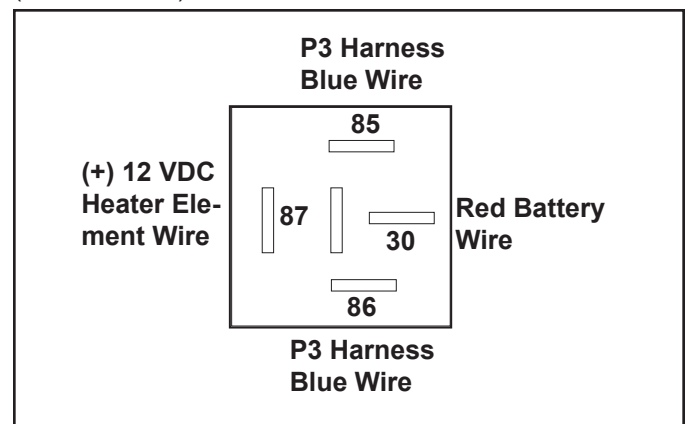
## 5.6 Electrode

Do a visual check for cracks or breaks on the ceramic insulator. A hair line crack can be hard to see at the electrode. The spark gap must be set at three-sixteenths (3/16") of an inch and tip of electrode above the slots in the burner. When adjusting always loosen the screw and move into place, never try to move without loosening the screw. On newer units the electrode and high voltage cable are integrated into one component. To acquire the proper part always provide the product number.



## 5.7 DC Relay

The relay controls the circuit to the DC heating element. The load (amps) of the DC heating element goes through the relay. Only used on newer 3 way units or units that have the UNIVERSAL POWER MODULE KIT (3308742.000) installed.



Verify that the following components are good: upper circuit board, thermistor, 5 or 6 wire harness and 30/3-amp fuses. In the DC mode Plug 3, Terminal 4 (positive 86) and Terminal 3 (negative 85) should have voltage to close the relay. If no voltage in the DC mode change the lower board.

Wires from control board P3 harness to relay.

Terminal 85 P3-3 harness blue negative.

Terminal 86 P3-4 harness blue positive.

Wires to relay from DC source and DC heater.

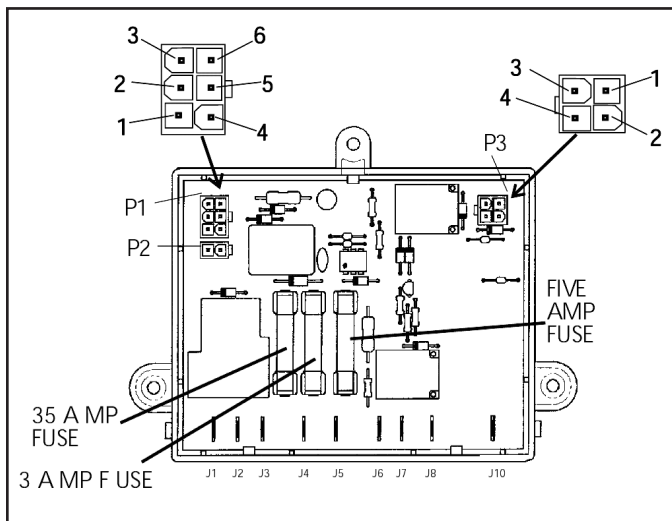
Terminal 87 to DC heater positive.

Terminal 30 positive from DC power source.

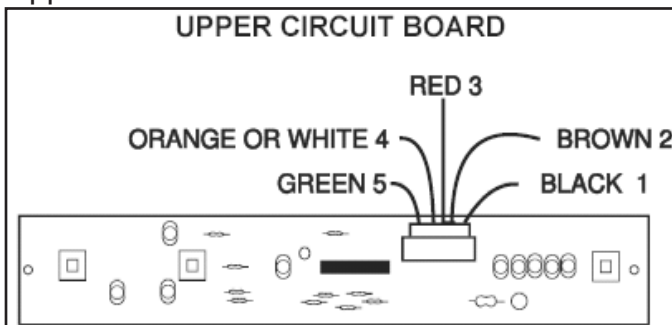
If DC voltage to terminals 85 & 86, but no continuity between 30 & 87 the relay will need to be changed. Refer to wiring diagram on the back of the product or check parts list for proper diagram. To acquire the proper wiring diagram always use the product number.

### 5.8 Upper Circuit Board

With main ON/OFF switch on display panel in OFF position: Check for DC voltage at Plug 1, Terminal 4 (orange wire +) positive and terminal 5 (red wire -) negative DC on the lower circuit board. If no voltage, then check fuse condition. Check for DC voltage between J4 positive and J10 negative terminals on the lower circuit board (first generation) or J1 positive and J10 negative on the current board (3850415013). If no voltage on orange wire, fuse test OK and voltage into lower control, replace the lower board. Next, with main ON/OFF switch on check for DC voltage at the upper circuit board between terminal 4 (orange wire) and terminal 3 (red wire) which is negative (-) DC. If no voltage and your previous check verified voltage at the lower circuit board between the wires, test and/or replace the cable assembly between the upper and lower controls.



Upper Board Pin Connector Wire Location



### 5.9 Lower Circuit Board

WIRING Original style control 3 way & 2 way

Note: 2 Way will not have a J1 for DC heater

**P1** To upper control board

**P2** Thermistor

**P3** To gas valve, igniter

**J1** To DC heater

**J2** To interior light and climate control

**J3** Negative lead from thermocouple

**J4** Positive 12V DC from terminal block

**J5** AC line voltage (Black)

**J6** AC neutral line (White)

**J7** AC neutral out to AC heater

**J8** AC line out to AC heater **Switched** side

**J10** Positive lead from thermocouple

Thermocouple positive lead may be on the ground strip on early units. Reference full wiring diagram next page.

WIRING: Current style control 3/2 way, 2 way will not have wires from P3 to external DC relay

Board part number 3850415013

**P1** To upper control board

**P2** Thermistor

**P3** To gas valve, igniter and DC heater relay if 3 way

**J1** Positive 12V DC from terminal block

**J2** To interior light and climate control.

**J3** To auxiliary fan (S.) and/or ice maker heat tape

**J4** Negative lead from thermocouple

**J5** AC line voltage (Black)

**J6** AC neutral line (White)

**J7** AC neutral out to AC heater

**J8** AC line out to AC heater **Switched** side

**J9** Positive wire from thermocouple

**J10** Negative to Chassis ground

Note: Terminals 9 and 10 could be reversed as both terminals are ground on control board.

WIRING: Current style with integrated igniter

Board part number 3850712013

**P1** To upper control board

**P2** Thermistor

**P3** To gas valve

**J2** To interior light / climate control.

**J4** Positive 12V DC from terminal block

**J5** AC line voltage (black)

**J6** AC neutral line (white)

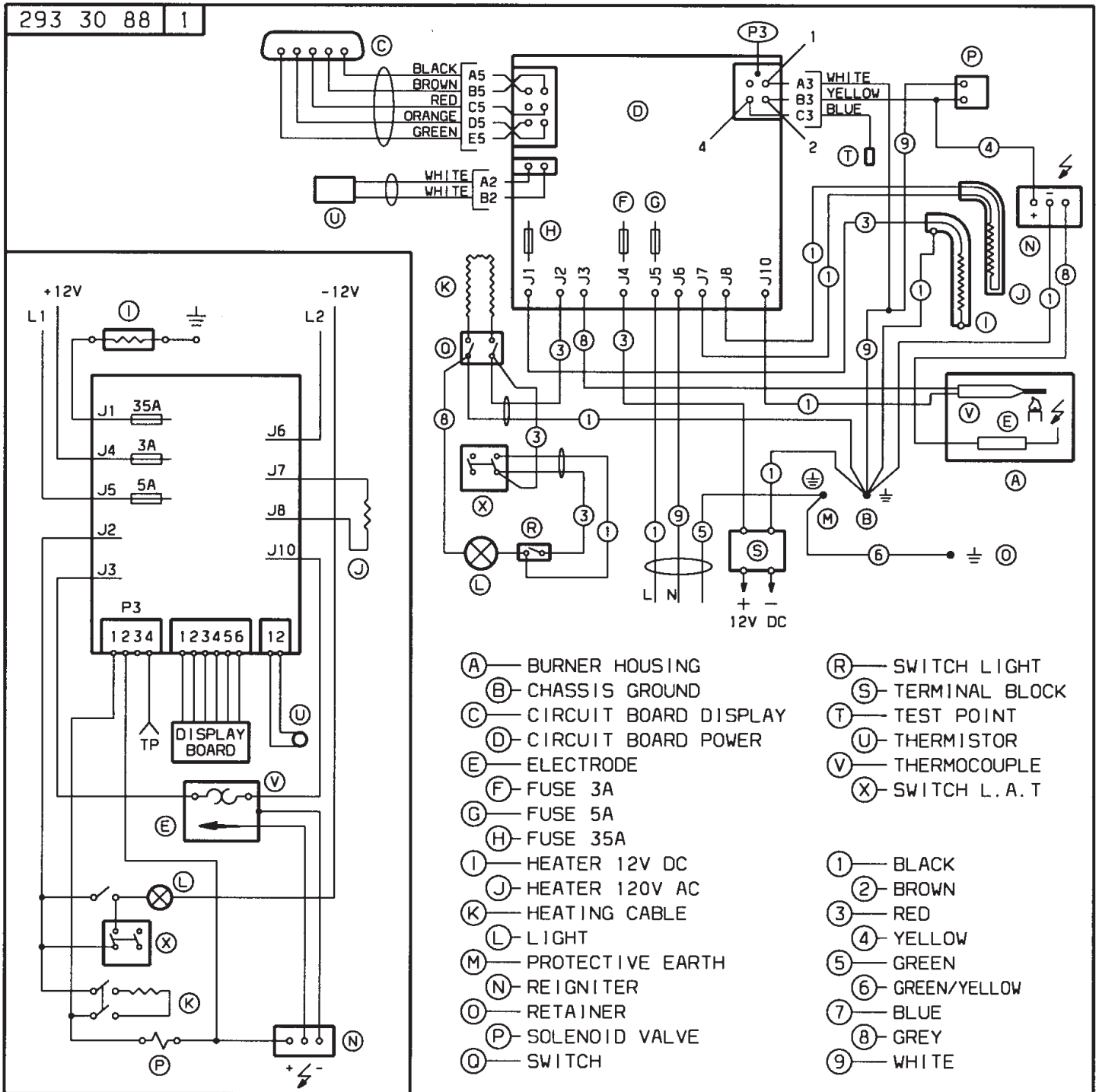
**J7** AC neutral out to AC heater

**J8** AC line out to AC heater **Switched** side

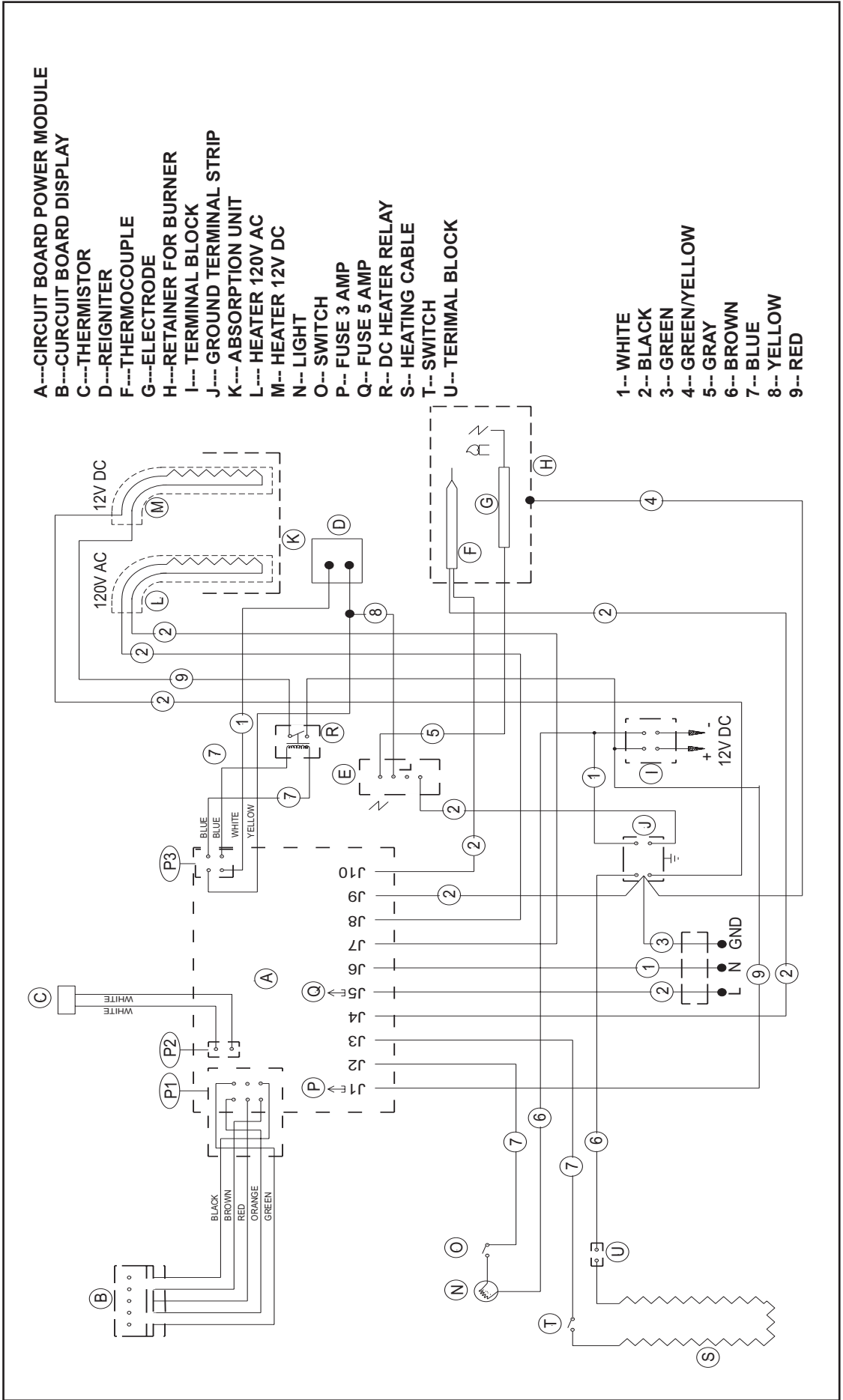
**J10** Negative to Chassis ground

Note: Units that have integrated igniter do not use a thermocouple.

WIRING ORIGINAL STYLE CONTROL 3 / 2 WAY, 2 WAY WILL NOT HAVE A J1 TO DC HEATER



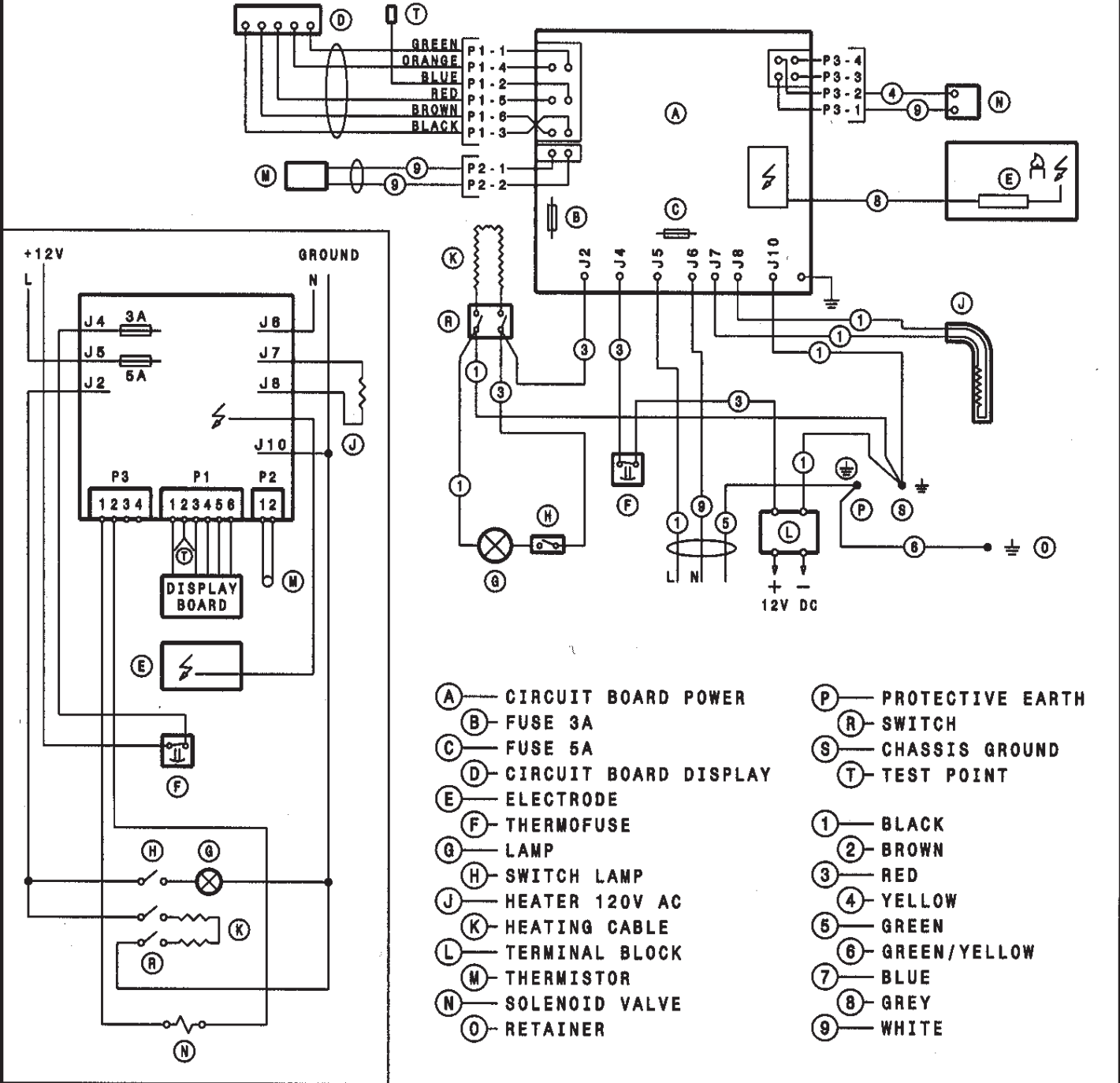
**CURRENT CONTROL SYSTEM WIRING 2 WAY WILL NOT HAVE DC RELAY & HEATER**  
**Part number 3850415013**





**WIRING INTERGRATED IGNITER CONTROL**  
**Part number 3850712013**

385 07 64



- |                             |                        |
|-----------------------------|------------------------|
| (A) — CIRCUIT BOARD POWER   | (P) — PROTECTIVE EARTH |
| (B) — FUSE 3A               | (R) — SWITCH           |
| (C) — FUSE 5A               | (S) — CHASSIS GROUND   |
| (D) — CIRCUIT BOARD DISPLAY | (T) — TEST POINT       |
| (E) — ELECTRODE             |                        |
| (F) — THERMIFUSE            | (1) — BLACK            |
| (G) — LAMP                  | (2) — BROWN            |
| (H) — SWITCH LAMP           | (3) — RED              |
| (J) — HEATER 120V AC        | (4) — YELLOW           |
| (K) — HEATING CABLE         | (5) — GREEN            |
| (L) — TERMINAL BLOCK        | (6) — GREEN/YELLOW     |
| (M) — THERMISTOR            | (7) — BLUE             |
| (N) — SOLENOID VALVE        | (8) — GREY             |
| (O) — RETAINER              | (9) — WHITE            |

N38507640

## Lower Board Testing

### ALL TESTS ARE TO BE DONE WITH THE REFRIGERATOR IN THE COOLING MODE.

Unplug the thermistor from the control board during lower board testing to assure unit is calling for cooling.

#### DC Volts

Measure volts between terminal J4 positive (early control) and the ground and integrated igniter board. Current control board J1 positive and ground. Voltage should be the same as at the positive (+) and negative (-) on DC input terminal block. 9.6 min to 22 max would be the operating range. Refer to wiring diagram on the product number unit you are currently working on. If voltage outside the 9.6 to 22 range, check power supply, terminal block and correct power source before going on with the test.

#### AC Mode

### WARNING

**This is an energized circuit. Shock can occur if not tested properly. Testing is to be done by a qualified service technician.**

Test upper control board and harness between upper and lower before testing lower for proper AC operation. Check that incoming AC voltage is present at terminals J5 (black) and J6 (white) on the circuit board. With unit on AC operation, check for voltage at the heating element connection terminals J7 and J8 on the circuit board. If no voltage is present, check the 5 amp AC, 3 amp DC fuses, wiring harness and upper control. If AC volts are present at J5 and J6 and no voltage on J7 and J8 the AC voltage detection circuit is damaged and the control board will need to be changed.

#### Gas Mode

**Note:** All current Dometic control boards are 3 try systems in the gas mode. There is a 2 minute purge cycle between each trial for ignition. Flame failure will take 6 to 7 minutes.

Verify that the following components are good: upper circuit board, thermistor, wire harness and 3-amp fuse. First, check for voltage during **trial-for-ignition** at Plug 3, Terminals 1 (white Wire -) and 2 (yellow wire +) to the igniter and solenoid. If no voltage is present change the circuit board. If voltage is present, check for voltage at the igniter and solenoid. If no voltage is present, check the wires. To check the flame sense circuit of the lower circuit board, operate the refrigerator on GAS and measure the millivolts between J3 (NEGATIVE) terminal original control or J4 current control and the other wire (POSITIVE) connection from the thermocouple.

The millivolts meter should read between 25 to 35 millivolts with the gas flame burning. When the power module senses the loss of flame (thermocouple voltage below 13 MVDC) the 45 seconds trial for ignition period is started. Turning the refrigerator OFF-ON while operating in the gas mode may cause a check light.

**Note:** A loose ground will create erratic or no gas operation on all systems.

#### Gas Mode Integrated Igniter

Verify that the following components are good: upper circuit board, electrode with cable, wire harness and 3-amp fuse. Units that have integrated igniter do not have a thermocouple. The igniter senses the flame thru the electrode and communicates with the lower main control. The integrated igniter used on certain Dometic model refrigerators operates on 12 volt DC thru the control board. On gas operation the igniter senses the resistance through the flame between the electrode and burner. When there is no flame at the burner, the resistance is high and the igniter begins sparking to light the burner. As soon as the flame is lit, the resistance between the electrode and burner drops and the igniter stops sparking. The resistance is monitored by the igniter, and, if for any reason the flame goes out, the igniter begins sparking until the burner is lit. This insures that the flame will always be lit when desired. The integrated ignition system is also a three try control. Turning the refrigerator OFF-ON while operating in the gas mode may cause a check light. If you have voltage to the gas valve during **trial-for-ignition** but no spark and the electrode with cable checks good, change the lower control board.

**Note:** Never engage the gas mode with the electrode cable unplugged from control board. This will damage the igniter on the board.

#### DC Mode 3-Way Units

Verify that the following components are good: upper circuit board, wire harness, DC heater and 3/30 amp DC fuse and relay. With the DC mode selected on the upper control, verify voltage between terminals J4 positive and the ground strip early control or J1 positive current control and J10 negative is above 9.6 min. When the DC heater is activated it will draw approximately 12 to 18 amps and if the power source is weak the control voltage will drop below proper operating range and shut down. Check for DC volts from J1 (positive) early control to DC heater, if no DC volts change the control board. On late controls (3850415013 & 3850712013 [integrated igniter]) the DC heater load (amps) goes through a stand alone relay. In the DC mode Plug 3, Terminal 4 (positive) and Terminal 3 (negative) should have voltage to close the relay. If you have voltage coming in with unit in DC mode but nothing out to DC heater or relay, change the control board. Refer to wiring diagram on the back of the product or check parts list for proper diagram. To acquire the proper wiring diagram always use the product number.

## 5.10 Door Switch

The door switch is an open switch when the switch arm is depressed (interior light should be off). When the refrigerator door is open the switch is closed (interior light should be on). Check that the switch assembly is properly aligned and that it is not broken. Check the switch assembly for continuity. To do a continuity check, first be sure all power is disconnected or OFF to the refrigerator. Second, remove all wires from the switch assembly, then check the switch.

After the check, be sure the switch assembly is wired properly per the wiring diagram. When the switch is depressed, there should not be continuity. When the switch is NOT depressed, there should be continuity. If any of these checks are incorrect, replace the switch.

## 5.11 Climate Control Heater & Switch

Not used on all units. Disconnect the wires from the switch and do a continuity check. In the OFF position, there should be no continuity. In the ON position, there should be a continuity reading. To check the heater itself, perform an ohms resistance reading on the heater wire by using a properly calibrated ohm meter. From the side of the switch that only has two wires, with switch off take an ohms reading to ground. The proper ohms reading will be 24 ohms  $\pm$  10%. The approximate amp draw is less than .5 (1/2) amp.

### Function

During the summer months of high temperatures and humidity, the metal frame between the freezer and fresh food compartments may have water droplets forming. The number of water droplets will increase if the vehicle isn't air conditioned during these months. Some refrigerators come standard with a 12 volt (DC) climate control that will evaporate the water droplets when they form. To have the climate control on, you position the switch (normally located beneath the top decoration panel that houses the control panel) to ON. The approximate amp draw is less than .5 (1/2) amp.

**Note:** The climate control will draw 12 volt DC power continuously when in the ON position on certain models. It should be turned OFF when a charging source is not available or unit is in storage.

## 5.12 Low Ambient Switch

Not used on all units. Disconnect the wires and do a continuity check. In the OFF position, there should be no continuity. In the ON position, there should be a continuity reading. All RV absorption refrigerators, while similar, operate a little differently than your home refrigerator. Dometic designers and engineers have equipped your refrigerator with an exclusive feature that allows for trouble-free operation in low ambient temperature (below 50° F) for extended periods of time. Simply turn on the low ambient switch located beneath the top decoration panel that houses the control panel. Once the outdoor temperature is above 50° F, the low ambient switch should be turned off.

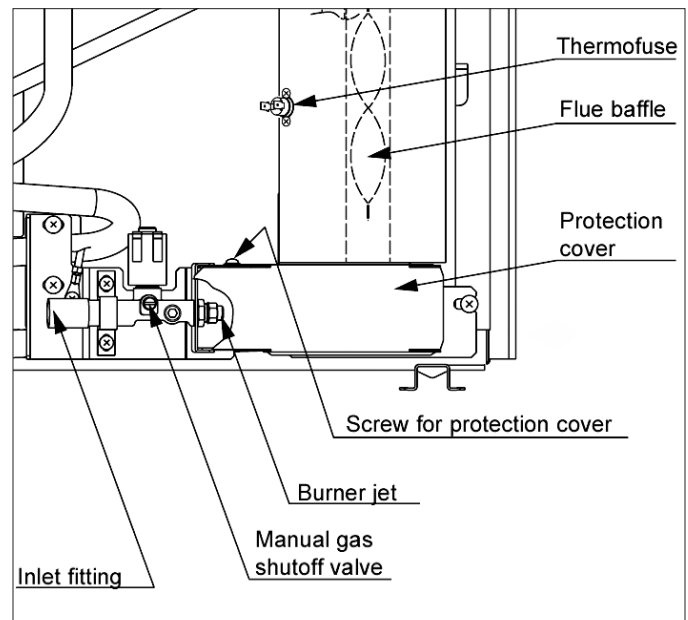
When the low ambient control is turned on it by-passes the interior light switch and turns on the interior light. The heat load of the 10 watt light bulb will cause the cooling unit to cycle approximate every 35 to 55 minutes. This will help keep the temperature in the freezer in the freezing zone. In low ambient temperatures the freezer will warm up because the refer box will not call for much cooling. When the refer calls for cooling it will cool the freezer first and then cool the refer box. When it is cool outside the refer box won't call for as much cooling and the freezer might warm up to normal food storage temperature (34 to 35). The second thing the control will do is keep the cooling unit from freezing up in low outdoor temperatures. (20 to 0 F)

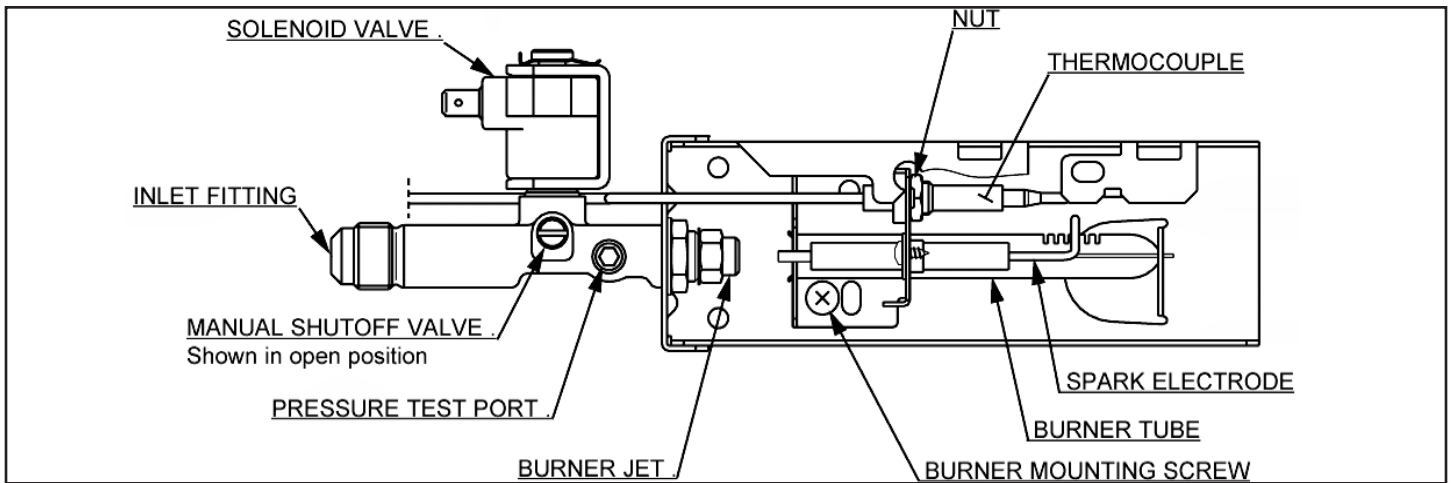
## 5.13 Fuses

The 3 amp DC fuse is designed to protect the circuit board from internal/external DC shorts. The 5 amp AC fuse is designed to protect the integrity of the AC detection and heater circuit from shorts. On 3-way models only, the 30 or 35- amp DC fuse is designed to protect the DC heater circuit integrity. All fuses can be checked for continuity. If a fuse blows don't replace it until the problem has been found. If a fuse blows there is a short or component that has created the problem.

## 5.14 Thermofuse

Newer and replacement cooling units have a Thermofuse located on the boiler. The function of the thermofuse is to shut down the control system in the event the cooling unit has a problem. On certain units the fuse can be reset by pushing the button in the center. The thermofuse is a non-replaceable component of the cooling unit. When the fuse pops it is normally an indication the cooling unit has a problem and the cooling unit will have to be replaced. The fuse can be checked for continuity.





## SECTION 6 LP GAS REQUIREMENTS



**DO NOT use a flame to check for gas**

The LP gas pressure to the refrigerator should be 11 inches water column with half of all BTU's of the RV turned on. With all other appliances off, the pressure to the refrigerator should not exceed 12 inches water column. To check the gas pressure when the refrigerator is operating, there is a pressure test port below the solenoid valve assembly.

## SECTION 7 LP GAS COMPONENTS

### 7.1 Manual Gas Shutoff Valve

The manual shutoff valve is a non-serviceable part. The valve is part of the solenoid valve assembly. It is very rare to have problems with the manual shutoff or the solenoid assemblies. If you have checked gas pressure and it is low, check pressure at input line to refer. If pressure is 11 inches at input and low at the pressure test port, change solenoid valve assembly. The valve is not opening all the way.

### TESTING LP GAS SAFETY SHUTOFF

The gas safety shutoff must be tested after the refrigerator is connected to the LP gas supply.

To test the gas safety shutoff, proceed as follows:

1. Start the refrigerator according to the instructions, and switch to GAS mode.
2. Check that the gas flame is lit and the GAS mode indicator lamp is on.
3. Close the manual gas shutoff valve at the back of the refrigerator.
4. Wait for one minute for units prior to 2003 and six to seven for units after 2003 (Three Try Board). The CHECK indicator lamp should be on and the GAS mode indicator lamp should be off.
5. Remove protection cover from burner and open the manual gas shutoff valve. Do not change any button positions on the control panel. Apply a non-corrosive commercial bubble solution to the burner jet orifice.

6. No bubbles should appear at the opening of the burner jet orifice. The presence of bubbles indicates a defective gas safety shutoff, and service is required.

7. If no bubbles were present at the burner jet orifice, it should be rinsed with fresh water. Be careful not to damage the burner jet orifice. Replace cover and press the main power ON/OFF button (1) OFF and back ON. Normal operation of the burner should return. Allow the burner to operate for a minimum of five minutes.

### 7.2 Orifice

The Dometic orifice is a brass alloy with a man-made ruby pressed in the center that has been laser-beam drilled in a spiral pattern. The orifice is cleaned by using an alcohol based solvent. Soak the orifice for approximately 1 hour and allow to air dry. Don't insert anything in the center of the orifice it will harm the man-made ruby. Don't use an air nozzle to blow thru the orifice as the ruby could be moved. Never over or under size the orifice on a Dometic refrigerator. The cooling unit is designed to work with a predetermined amount of heat and modifying the orifice size will decrease cooling. If there is a lack of cooling on gas operation, verify the orifice is the proper size per the chart.



**DO NOT use a wire or pin when cleaning the burner jet as damage can occur to the precision opening. This can cause damage to the refrigerator or create a fire hazard.**

MODEL	JET SIZE
RM2351-4	#39
RM2451-4	#43
RM2551-4	#43
RM2652	#58
RM2662-3	#58
RM2852	#58
RM2862	#58

Always check the parts list with the model and product number to assure the right jet size.



### 7.3 Thermocouple

The Thermocouple is a component that extends over the burner assembly so its tip is in the path of the flame. During normal gas operation, the thermocouple should produce 25 to 35 millivolts when connected to the lower circuit board. Any reading below 18 millivolts could cause erratic gas operation. **Note:** A reading of 18 or less could be caused by low gas pressure, carbon build up or improper thermocouple location. The thermocouple should be centered over the burner and extend over 3 slots. The control board reads negative millivolts from the thermocouple and the positive lead goes to the ground terminal on the control board or ground strip.

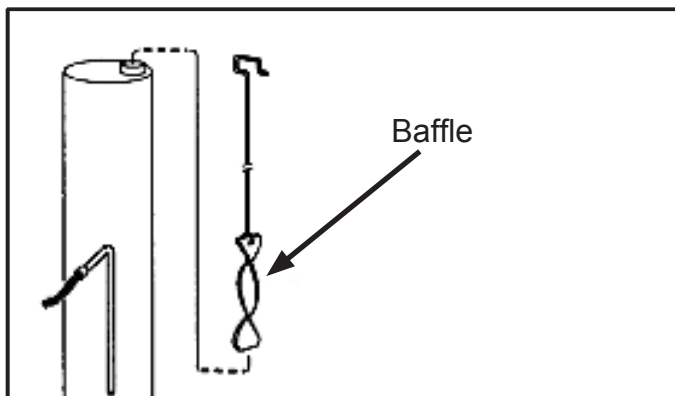
**Note:** A rapid on/off of the switch or a brief interruption of DC power source does not allow the thermocouple time to cool. When the power is restored, the thermocouple has not cooled completely and the check light may come on. Turning the refrigerator OFF-ON while operating in the gas mode may cause a check light. The new lower control has built-in delay when the unit is first turned on. If the lower control reads millivolts in excess of 6 MVDC the control will go into a 30 second gas delay before attempting to light on gas. To test the thermocouple set the meter to DC millivolts. Put the black lead from the meter to terminal J3 ( original board ) or J4 ( current board ) and the red lead from the meter to J10 or other lead from thermocouple. Start the unit on gas and measure the DC millivolts produced by the thermocouple. The thermocouple should produce 22 to 36 millivolts within 45 seconds. If the millivolts are 20 or below erratic operation will occur. Anything below 10 to 13 the control board will not keep the gas valve energized and turn on the check light after the 45 second trial-for-ignition.

### 7.4 Burner

The slots in the burner should be directly below the flue tube. The burner should be cleaned periodically, at least once a year. Soak the burner in an alcohol based solvent and allow to air dry. If the burner does not have a good ground it can cause erratic gas operation. The electrode sparks to the burner tube and a erratic ground will cause erratic gas operation.

### 7.5 Flue Baffle

The flue baffle ( spiral baffle ) is a twisted piece of metal that hangs in the flue tube to slow the heat from the flame to the proper location on the cooling unit. If the flue baffle is too high or low the heat will not be transferred to the cooling unit properly.



MODEL	ABOVE BURNER	SIZE
RM2351-4	1-15/32	3-15/16X25/32
RM2451-4	1-15/32	3-15/16X25/32
RM2551-4	1-15/32	3-15/16X25/32
RM2652	1-7/8	5-1/8X13/16
RM2662-3	1-7/8	5-1/8X13/16
RM2852	1-7/8	5-1/8X13/16
RM2862	1-7/8	5-1/8X13/16

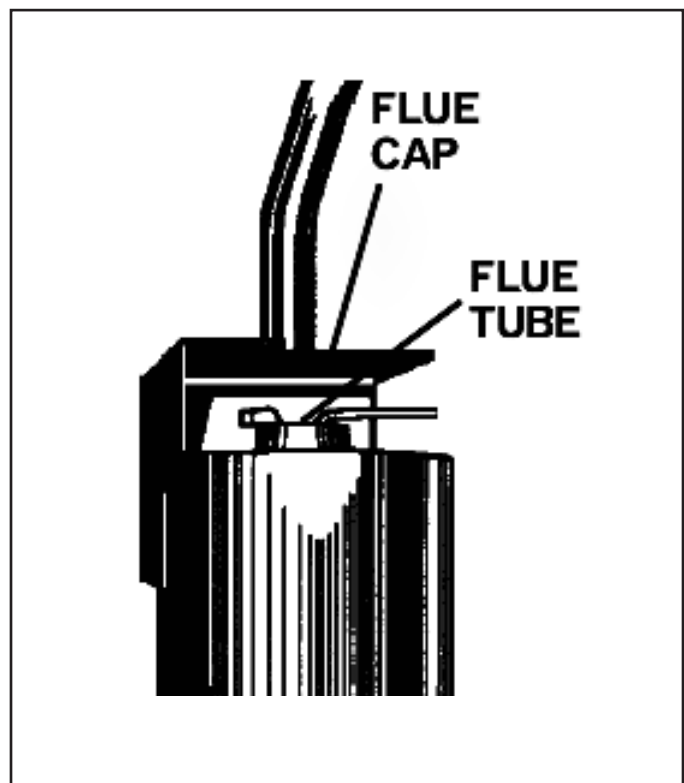
Lack of heat transfer to the cooling unit will cause low cooling performance in the gas mode. It should be cleaned periodically, at least once a year. The proper position of the baffle above the burner should be as shown in the chart : **Always refer to parts list on the model/product number unit you are currently working on.**

### 7.6 Flue Cap

The flue cap is located at the top of the flue tube and is attached with a screw or pushed down over tube. Not all units will come with a flue cap. The design of the baffle wire in the flue tube will slow down a down draft.

### 7.7 Flue Tube

Carbon build up will not allow the heat transfer to the cooling unit and cause lack of cooling on gas. The flue tube is welded to the boiler of the cooling unit. In a rough riding coach there have been rare cases where the weld will crack and create lack of cooling. The flue tube must be cleaned periodically, at least once a year. Clean by using a flue brush, Dometic Part No. 0151404001.



## SECTION 8 COOLING UNIT

### 8.1 Leveling

Leveling is one of the requirements for proper operation of absorption refrigerators. The absorption design utilizes no mechanical pumps or compressors to circulate the refrigerant within the system, so proper leveling must be maintained to provide the correct refrigerant flow. Without proper leveling, refrigerant within the cooling unit will collect and stagnate at certain areas. Without proper refrigerant flow, the cooling process will stop. Absorption refrigerators have a type of cooling unit that utilizes an enclosed pump tube surrounded by a solution to protect the assembly. To ensure proper leveling, the vehicle needs to be leveled so it is comfortable to live in. (No noticeable sloping of floor or walls). When the vehicle is moving, leveling is not critical as the rolling and pitching movement of the vehicle will pass to either side of level, keeping the refrigerant from accumulating in the piping.



**PERFECTLY LEVEL NOT REQUIRED  
MORE LEVEL = BETTER OPERATION**

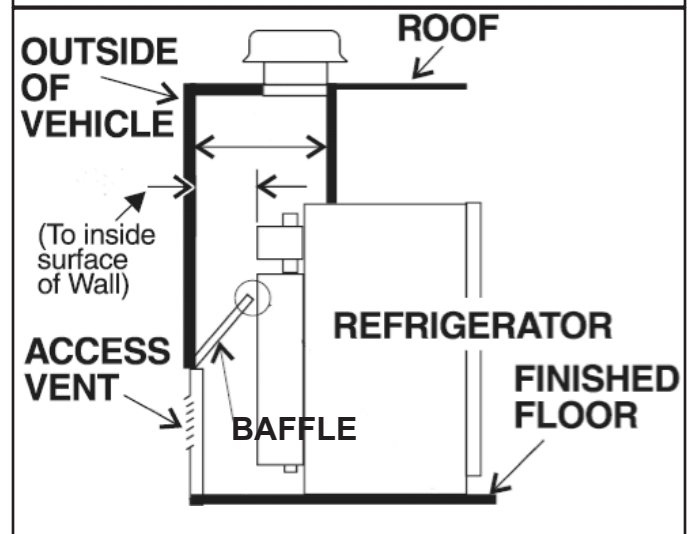
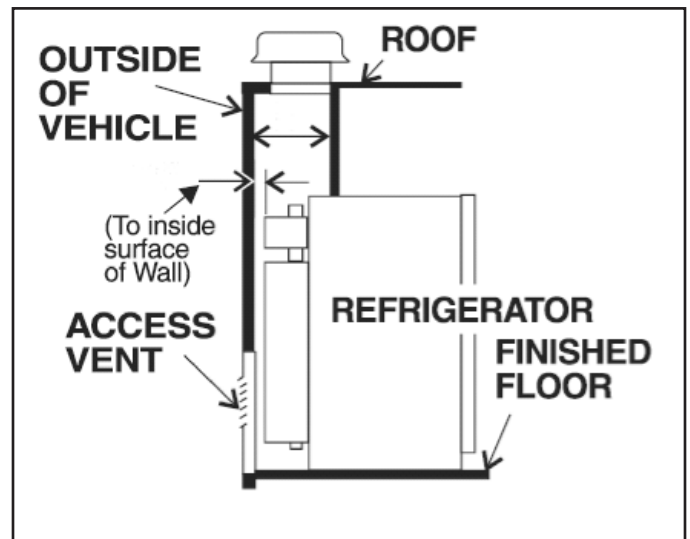
### 8.2 Ventilation

The installation shall be made in such a manner as to separate the combustion system from the living space of the mobile home or recreational vehicle. Openings for air supply or for venting of combustion products shall have a minimum dimension of not less than 1/4 inch. Ventilation is a critical requirement for proper cooling unit operation. The coach vent system must be able to provide a way to direct the hot air, produced by the action of the cooling unit, out away from the installation of the refrigerator. The refrigerator extracts heat from the interior of the refrigerator cabinet and dissipates the heat out through the vent system. In a proper installation there should be zero (0") clearance surrounding the sides and top of the refrigerator to achieve proper air flow. Clearance from the back of the refer to the outside wall must be kept less than 1 inch. All potential dead air pockets should be blocked or baffled to ensure that heat won't be trapped in these spaces and reduce efficiency.

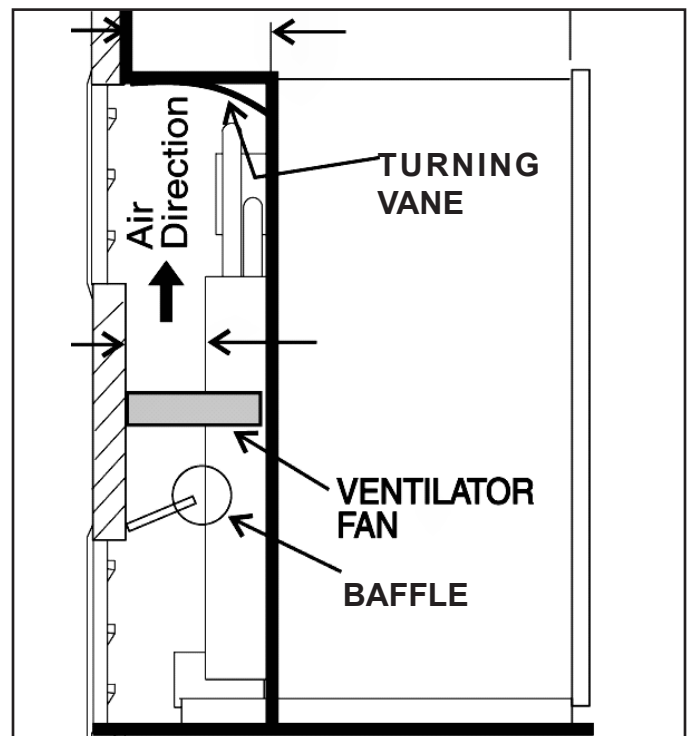
**Note:** Refrigerators should be installed in accordance with appropriate installation instructions received with the refrigerator.

**FOR MORE UPDATED INFORMATION ON UNIQUE VENTILATION REQUIREMENTS,** refer to Vent Installation Instructions, Form No. 3308666.XXX.

### Typical Roof Vent and Side Wall Vent



### Typical Two Side Wall Vents

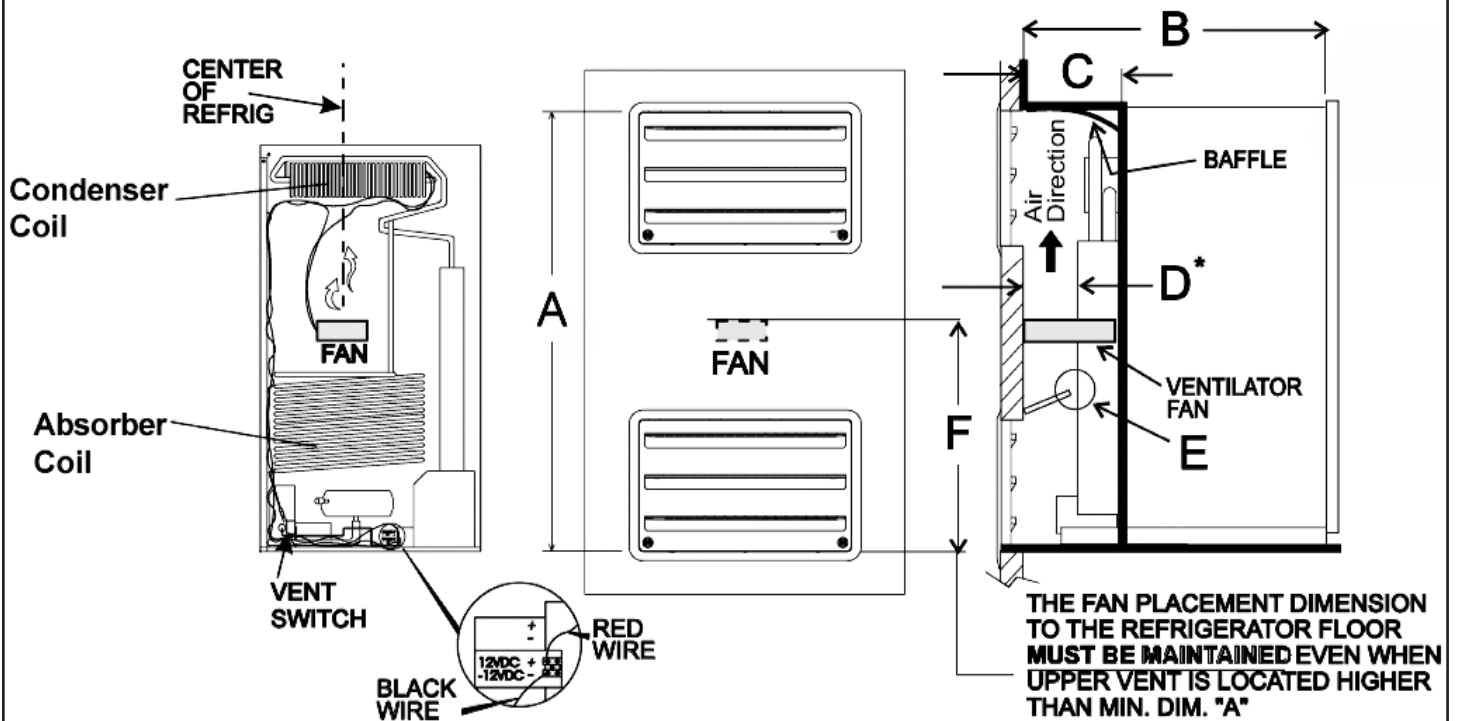


## Typical Two Side Wall Vent Application. Always Refer To Vent Instructions 3308666.xxx

(Dimensions in Inches)

Model No.	Min. Innovator Vent Height	Min. Dim. +1/4 -0	Min. Dim.	Max. Dim.	Max. Dim.	Max. Dim.	F
	A	B	C	C	D*	E	
** RM2620	49	24-7/8	8-1/8	8	4-14	1	34-1/2
** RM2652	56	24-3/4	5-1/8	8	3-1/2	1	38-1/2
** RM2662	56	24-3/4	5-1/8	8	3-1/2	1	38-1/2
** RM2663	56	24-3/4	5-1/8	8	3-1/2	1	38-1/2
RM3662	56	24-3/4	5-1/8	8	3-1/2	1	38-1/2
RM3663	56	24-3/4	5-1/8	8	3-1/2	1	38-1/2
** RM2820	57	24-7/8	5-1/8	8	4-1/4	1	41-1/2
** RM2852	61	24-3/4	5-1/8	8	3-1/2	1	45-1/2
** RM2862	61	24-3/4	5-1/8	8	3-1/2	1	45-1/2
** RM3862	61	24-3/4	5-1/8	8	3-1/2	1	45-1/2
** NDR1062	61	24-3/4	5-1/8	8	3-1/2	1	45-1/2

\*\* Note: Models use Innovator ventilation system kit 3108709.936.

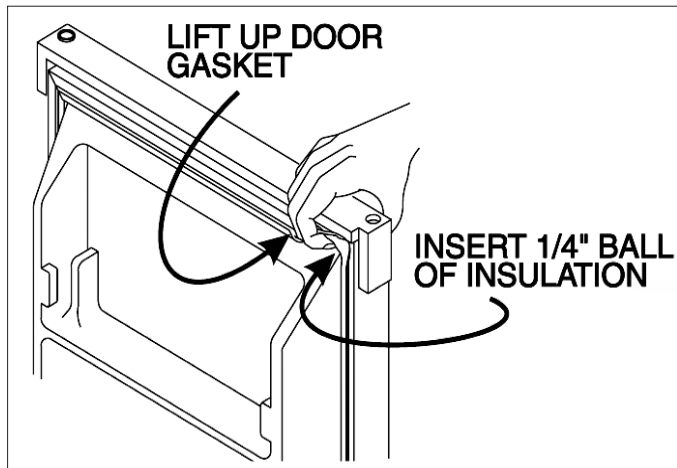


\* When dimension "D" exceeds 1", it is necessary to add baffle (E) above lower access vent, as shown, for more efficient operation in warm temperatures.

### 8.3 Air Leaks

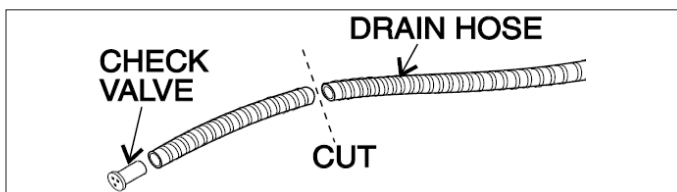
Check the gasket on the doors to be sure of a positive air seal. A simple method to check gaskets is to close the door on a dollar bill, then pull the dollar bill out. If no resistance is felt, the gasket in that place is not sealing properly. This should be done on all four sides of the door in several places. If a gasket is not sealing properly, lift up inside of door gasket and insert 1/4" ball of fiberglass insulation at all four corners on both doors. This is especially important to the top corners. Next warm the gasket material with a hair dryer. Then close the door and the magnetic strip should pull the gasket to the metal frame. Leave door closed until the material has cooled. Then recheck for a positive seal. If a positive seal cannot be achieved, replace the door gasket. Also check that the cooling unit is installed properly. The cooling unit's foam block, the portion that surrounds the evaporator coils, must be flush to the cabinet at the back of the refrigerator and have a positive seal. If the cooling unit is not installed properly, remove and install properly.

**Note:** Air leaks will cause insufficient cooling as well as rapid formation of frost.



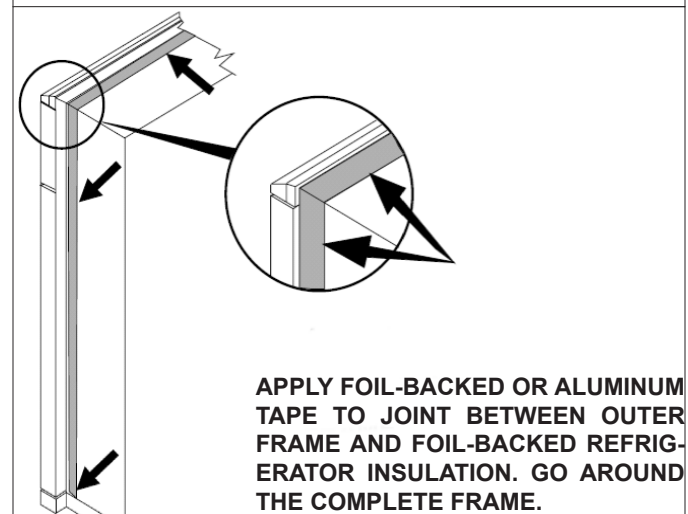
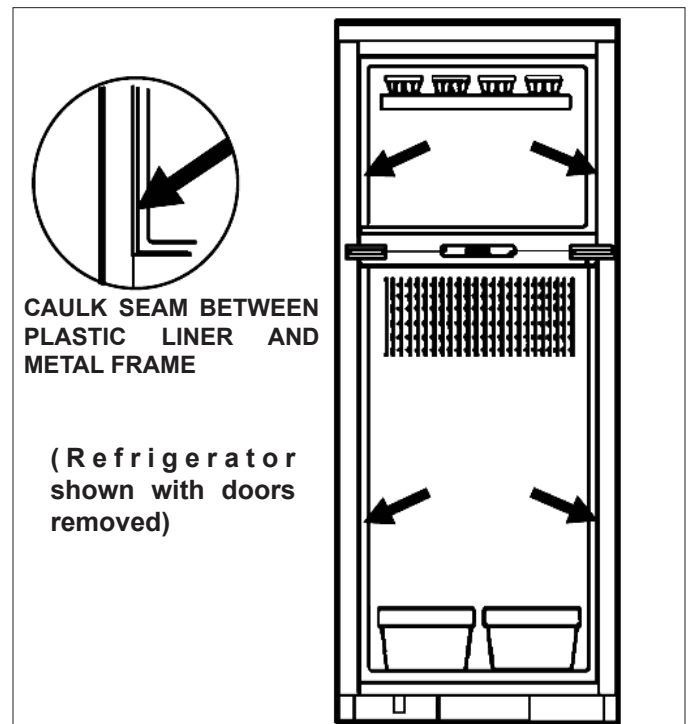
**CAUTION**  
DO NOT OVERHEAT  
AS YOU CAN MELT THE MATERIAL

Another source for an air leaks could be the drain hose. When units are installed, there is a check valve at the end of the drain. At install the hose might be shortened and the check valve must be moved to the end of drain hose. Any time lack of performance or excessive frost is experienced, look for the check valve at the end of hose.



### 8.4 Interior Liner Seal To Frame

There is a seal that is applied to the liner in the area where the metal frame makes contact with the interior liner. If this seal is incomplete, cold air can migrate out to the metal frame. If this happens, condensation could form on the frame and could promote rapid formation of frost. If you suspect an improper seal, apply a small bead of silicone all the way around the perimeter where the frame meets the interior liner. Next remove all screws securing the refrigerator into the cabinet and slide the refrigerator out approximately 2-4 inches. Clean the metal frame and foil-backed insulation around the refrigerator. Apply a foil-backed adhesive tape to the joint between outer frame and foil-backed refrigerator insulation. Make sure the refrigerator is dry and that the surface temperatures are above 50° F. Use a clear silicon caulking compound and seal the seam between the refrigerator's plastic liner and the metal frame. Apply the silicon in a continuous bead around both the refrigerator freezer and food compartments.

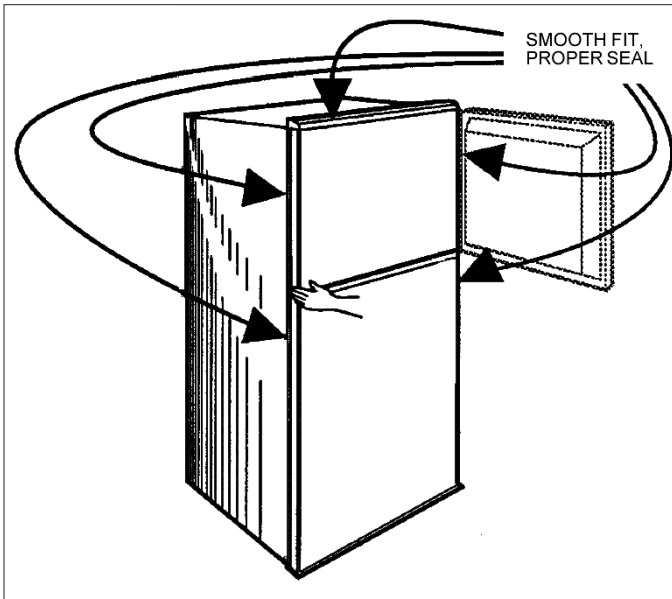




**Note:** To form a proper seal, it is important not to leave any gaps.

### 8.5 Door Position

If the upper or lower door is closing too high or low against the frame, cold air leakage can occur. Adding or deleting a flat thin washer on top of the lower or middle hinge pin can raise or lower the door position. To correct the door alignment, loosen the hinge screws slightly and reorient the door in the proper position. Hold the door in its new position and carefully retighten the hinge screws.



### 8.6 Ambient Temperature

This is the temperature surrounding the recreational vehicle, as well as the temperature of air at the back of the refrigerator. As the ambient temperature increases, the air temperature in the area of the cooling unit increases. Improper venting at this point will cause the cooling unit to have reduced efficiency. A refer that chases the out-side temperature is improperly vented or has a weak cooling unit.

# The Absorption System

The continuous absorption type of cooling unit is operated by the application of a limited amount of heat furnished by gas, electricity or kerosene. No moving parts are employed.

The unit consists of four main parts - the boiler, condenser, evaporator and absorber.

The unit can be run on either electricity, kerosene or gas. When the unit operates on kerosene or gas the heat is supplied by a burner which is fitted underneath the central tube (A) and when the unit operates on electricity the heat is supplied by a heating element inserted in the pocket (B).

The unit charge consists of a quantity of ammonia, water and hydrogen at a sufficient pressure to condense ammonia at the room temperature for which the unit is designed.

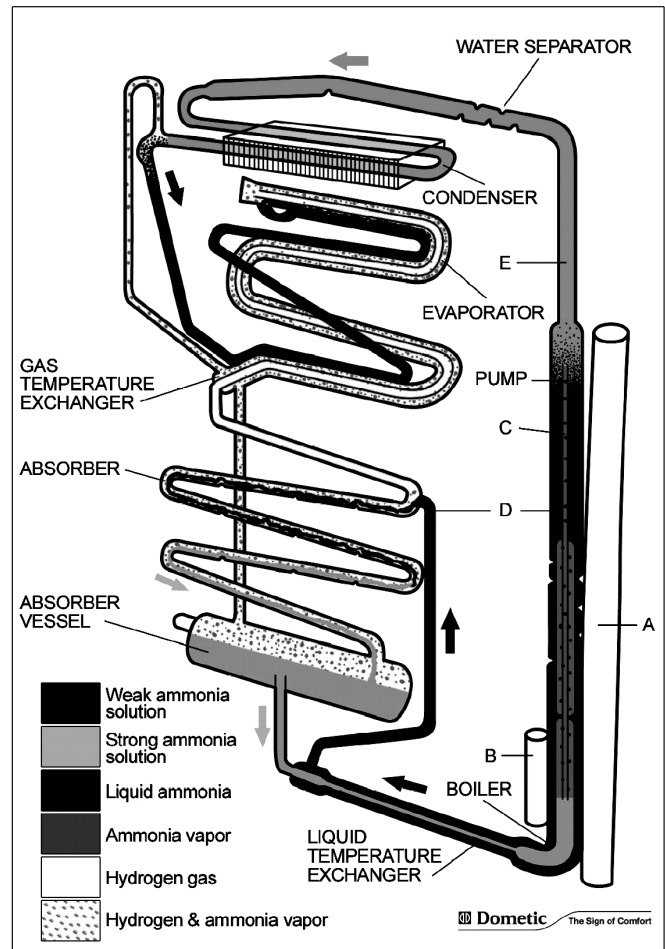
When heat is supplied to the boiler system, bubbles of ammonia gas are produced which rise and carry with them quantities of weak ammonia solution through the siphon pump (C). This weak solution passes into the tube (D), while the ammonia vapor passes into the vapor pipe (E) and on to the water separator. Here any water vapor is condensed and runs back into the boiler system leaving the dry ammonia vapor to pass to the condenser.

Air circulating over the fins of the condenser removes heat from the ammonia vapor to cause it to condense to liquid ammonia in which state it flows into the evaporator.

The evaporator is supplied with hydrogen. The hydrogen passes across the surface of the ammonia and lowers the ammonia vapor pressure sufficiently to allow the liquid ammonia to evaporate. The evaporation of the ammonia extracts heat from the evaporator which in turn extracts heat from the food storage space, as described above, thereby lowering the temperature inside the refrigerator.

The mixture of ammonia and hydrogen vapor passes from the evaporator to the absorber.

Entering the upper portion of the absorber is a continuous trickle of weak ammonia solution fed by gravity from the tube (D). This weak solution, flowing down through the absorber, comes into contact with the mixed ammonia and hydrogen gases which readily absorbs the ammonia from the mixture, leaving the hydrogen free to rise through the absorber coil and to return to the evaporator.



The hydrogen thus circulates continuously between the absorber and the evaporator.

The strong ammonia solution produced in the absorber flows down to the absorber vessel and then to the boiler system, thus completing the full cycle of operation.

The liquid circulation of the unit is purely gravitational.

Heat is generated in the absorber by the process of absorption. This heat must be dissipated into the surrounding air. Heat must also be dissipated from the condenser in order to cool the ammonia vapor sufficiently for it to liquefy. Free air circulation is therefore necessary over the absorber and condenser.

The whole unit operates by the heat applied to the boiler system and it is of paramount importance that this heat is kept within the necessary limits and is properly applied.

## 8.7 Cooling Unit

The cooling unit is a self-contained, hermetically sealed set of coils where the refrigeration process takes place. The chemicals involved in the cooling process include hydrogen, ammonia, water and a rust inhibiting agent. There are no repairs recommended on the cooling unit. If it is defective, replace with a new cooling unit. To check the cooling unit, first verify the AC heating element is good, proper ohms at room temperature, proper venting and unit is level. Then place approximately one gallon of water inside the refrigerator and place a thermometer in one of the containers of water. Next, unplug the thermistor from the lower control board. This will by-pass the thermostat control and operate for at least 12 hours. Then check the temperature on the thermometer. It should be at 43 degrees or lower depending on test conditions. If so, the cooling unit is good. If the temperature of the water is above 43 degrees, replace the cooling unit. The outside temperature will affect the cooling capacity of the unit. There is that rare occasion when the cooling unit will work OK for the first 12 hours and then start to warm up. If the customers complaint is "works OK for 2 to 5 days and then warms up" the unit may have an internal problem. To test this it would be necessary to operate the cooling unit for up to 24 to 48 hours in the test mode.

## 8.8 Food Storage

Proper refrigeration requires free air circulation within the food storage compartment. Restricted air circulation within this compartment will cause higher cabinet temperatures. To remedy this situation, simply rearrange your foodstuffs. It is also essential that the shelves are not covered with paper or large storage containers. Always remember to allow for proper air circulation. Odorous or highly flavored foods should always be stored in covered dishes, plastic bags or wrapped in foil or waxed paper to prevent food odors. Vegetables, lettuce, etc., should be covered to retain their crispness.

### **NEVER PUT HOT FOOD INTO THE REFRIGERATOR.**

To reduce frost formation in and on the freezing compartment, cover stored liquids and moist foods and do not leave the door open longer than necessary. When the refrigerator is heavily loaded, it takes a longer time for refrigerator temperatures to lower, also increasing the ice making time. A very heavy load may also cause defrosting. Defrosting every 7 to 21 days would be normal, depending on the humidity level.

## 8.9 High Humidity

High humidity may cause a small amount of condensation to form on the frame of the refrigerator. In some cases it can develop to such a degree that it will run off the frame. As the humidity is reduced, the sweating will decrease. High humidity can also be a factor in rapid formation of frost.

## SECTION 9 WIRING

### 9.1 Internal Wiring

Check all wires and the connectors to ensure a proper and tight connection. Also verify the refrigerator is wired per the wiring diagram for the model you are working on. (See applicable wiring diagrams for your model refrigerator). A loose connection can create erratic operation. Always check the wires at the DC terminal block, two wires in and two wires out.

### 9.2 External Wiring

**120 Volts AC Connection:** The refrigerator is equipped with a three prong (grounded) plug for protection against shock hazards and should be plugged directly into a properly grounded three prong receptacle. DO NOT cut or remove the grounding prong from this plug.

**12 Volt Connection :** The connection is made to the terminal block marked 12 volts DC. The control system is connected to a battery/converter circuit and could draw about 3 amps at 12 volts DC. The refrigerator must be connected to the battery circuit with two wires of adequate capacity to avoid voltage drop. Proper polarity is crucial for refrigerator operation. Don't use the chassis for the ground circuit. **No other electrical equipment or lighting should be connected to refrigerator circuit.** A loose connection will create erratic operation.

**On three way units the DC heater will draw up to 18 AMPS and size of wires should follow installation instructions for the model unit you are working on.**

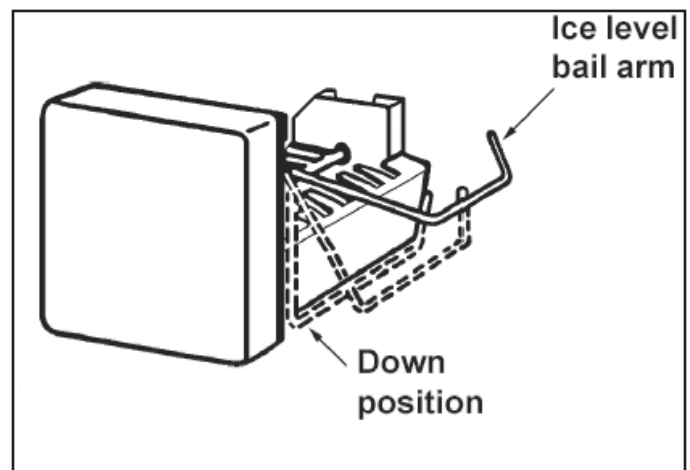
### 9.3 Wiring Schematics

To view typical wiring schematics look in the Lower Circuit board testing section 5, pages 14, 15 and 16. All units should have a specific schematic on the rear of that unit. To acquire the proper one always have the product number when you call or e-mail.

## SECTION 10 ICE MAKER

### 10.1 Operation

The refrigerator must be allowed to precool properly before starting the ice maker. The refrigerator has to be connected to 120 volts AC before the ice maker can operate. The water line manual shutoff valve (not part of Dometic unit) must be open. To start making ice, move the ice level bail arm to DOWN position.

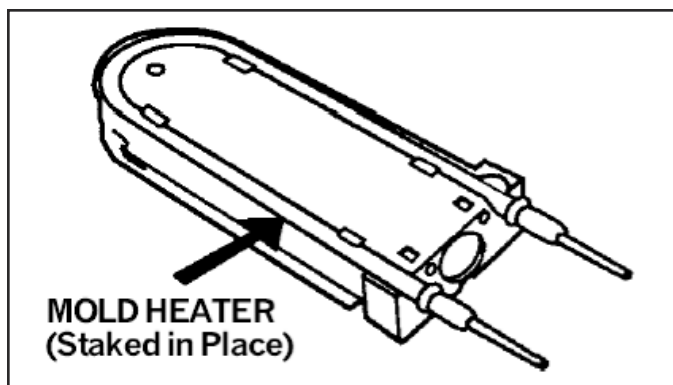


When the ice maker thermostat senses the preset temperature for ejection of the ice cubes, the fingers will start to rotate, dumping any ice cubes and filling the mold with water. When the storage container is full of ice, the ice level bail arm cannot return to the DOWN position. This will stop further production of ice until the container is emptied and the bail arm is returned to the down position. The absorption system will keep the compartment at the proper temperature for storage of ice. Ice making is accelerated if the thermostat is set to the coldest position. It is a good idea to do this a few hours before you anticipate a need for ice. The first few cycles may have small cubes due to air trapped in the water lines. The first container of ice cubes should be dumped if the water system has been winterized or not used for several weeks.

**Note:** if the ice maker was cleaned and drained, no ice cubes will be dumped into the storage container during the first few cycles.

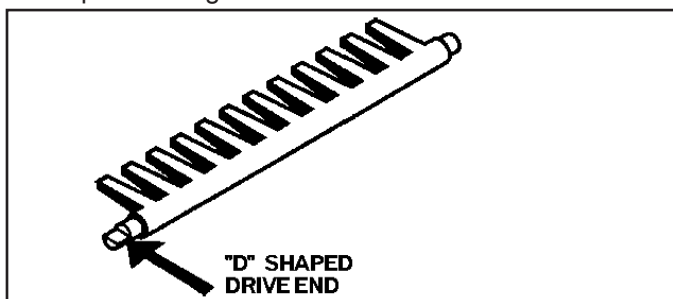
### 10.2 Mold Heater

The mold heater uses 165 watts to thaw the ice free from the mold. It is wired in series with the thermostat which also acts as a safety device. With power to the appliance off, check for resistance between the two leads to the heater element. You should obtain a reading of approximately 80 ohms +/- 10%. If the heater is found to be defective, the manufacturer recommends replacement of the entire ice making unit for proper operation.



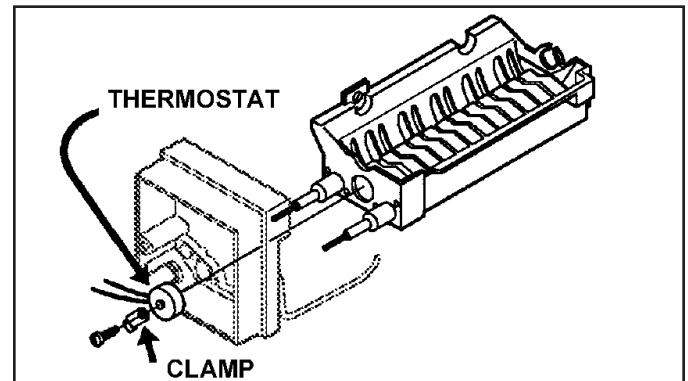
### 10.3 Ice Ejector

The ice ejector blades sweep the ice from the mold cavities during the ejection cycle. The drive end of the ejector is "D" shaped for positive coupling. The bearings at both ends are lubricated with silicone grease. If the ejector blades are frozen into the ice, defrost the ice maker and manually cycle the ice making unit, making sure the ejector stops at the right location.



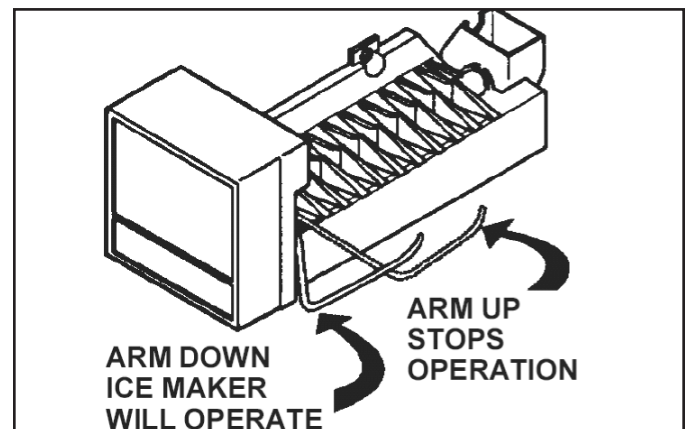
### 10.4 Mold Thermostat

This is a single-pole, single-throw, bimetal switch. It starts an ejection cycle by closing at 15° F ± 5°. The reset temperature is 50° F ± 5°. The thermostat is in series with the mold heater and acts as a safety against overheating in case of a mechanical failure. If the thermostat is defective, replace it. The mold thermostat starts the ice ejection cycle. The freezer must be down to proper temperature for the mold thermostat to start the cycle. The cycle can be started by turning the large gear clock wise 1/8 to 1/4 of a turn.



### 10.5 Shut Off Arm

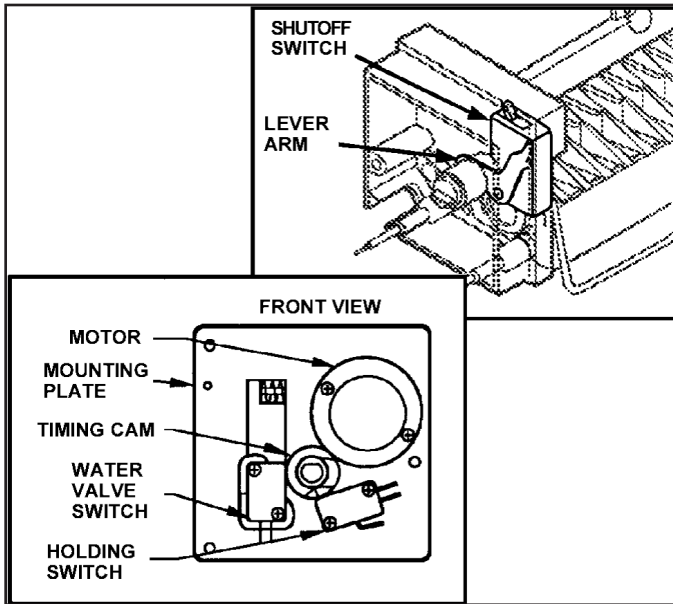
The shutoff arm is cam driven. It operates a switch to control the quantity of ice produced. During the ejection cycle the arm is raised and lowered during each of the two revolutions of the timing cam. If the shutoff arm comes to rest on top of the ice in the storage bin during either revolution, the switch will remain open and stop the ice maker at the end of that revolution. The arm has a manual shutoff built into the linkage; by raising the arm as high as possible, it will lock in that position until forced down. If the arm and switch do not operate properly, check for damage and repair or replace parts as necessary.



### 10.6 Mold Switches

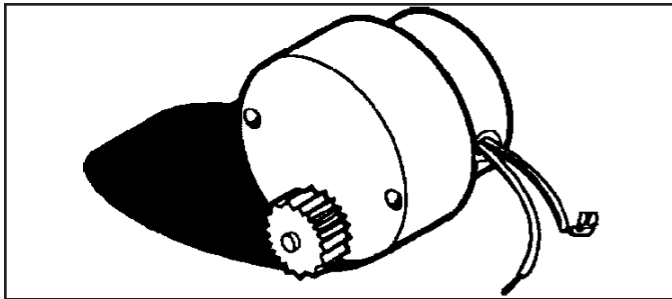
The three switches are single-pole, double-throw style. They are identical and interchangeable. The holding switch assures completion of a revolution once a cycle has started. The water valve switch opens the water valve during the fill stage of the cycle. NOTE: This is the only adjustable component of the ice maker. If you use a double throw switch, DO NOT use the N.O. terminal. The shutoff switch stops the ice maker's operation when the storage bin is full.





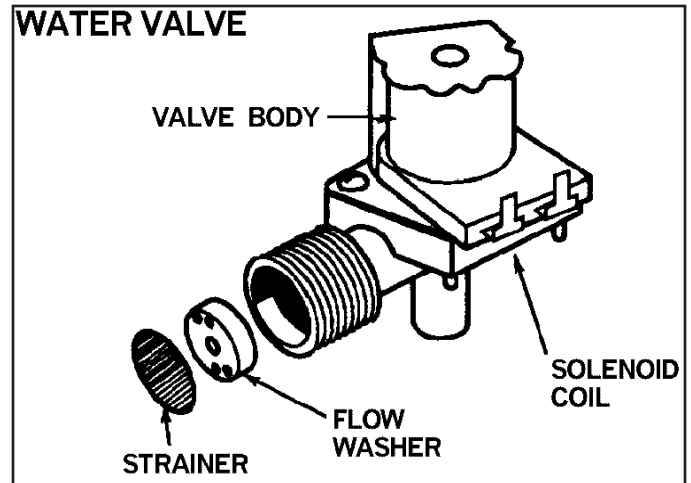
### 10.7 Timing Motor

This is a low-wattage, stall-type motor which is geared to the timing cam and ice ejector. It is a one RPM motor. To check the motor, disconnect power to the appliance and test for continuity between the two leads. If you DO NOT have continuity, replace the motor. If you have continuity and the motor runs, DO NOT replace.



### 10.8 Water Valve

This valve is solenoid operated. When it is open it releases water from the source to the mold. The amount of water is proportional to the length of time the water valve switch is held closed by its timing cam. Disconnect power to the appliance, remove the wires to the water valve solenoid coil, and check for continuity between the two terminals. The ohms should be between 200 to 500. If you have continuity, the solenoid is good. It takes 10-15 watts to energize the solenoid coil. The mold heater and coil are in series. When the mold heater is activated, this causes the voltage to drop to about 105 VAC at the coil. The valve has a flow washer inside which acts as a pressure regulator. A strainer is installed to prevent dirt, rust, etc, from entering the valve. Check for any debris which might obstruct the flow of water, or prevent the valve from closing completely when the circuit is not energized. Remove any obstructions. If the valve still fails to operate properly, replace it. If the valve has been cracked from freezing this would not be a warranty item.



### 10.9 Ice Maker Replacement

#### **⚠ WARNING**

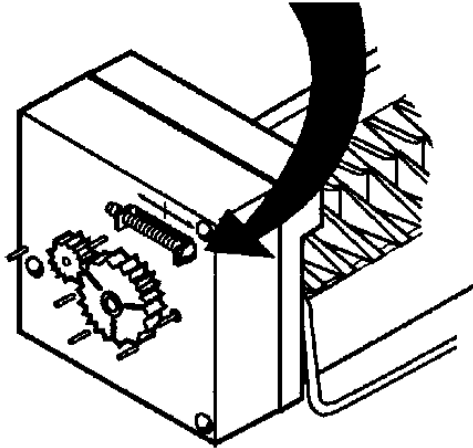
**This is an energized circuit. Shock can occur if not tested properly. Testing is to be done by a qualified service technician.**

It may be necessary to replace the entire ice maker assembly. Disconnect power to the appliance. Disconnect the 4 pin connector from the ice maker unit. Check each wire for continuity to make sure the wiring is good before replacing the ice maker unit. If there is no continuity on any of these wires, replace or repair them as necessary and recheck the ice maker unit to determine whether the problem was in the wiring or the unit itself. Remove the three screws holding the unit to the plate. Before replacing the ice maker assembly check the temperature in the freezer. For the unit to cycle it should be 12 degrees or cooler as the mold thermostat starts the cycle.

### 10.10 Water Fill Adjustment

The correct water level in the mold is important for the proper production of ice. The size of the ice cubes depends on the amount of water which enters the mold. The cubes should be approximately 1/2" wide, 3/4" high and 2-1/2" long. If the water overflows in the mold, first check to see if the ice maker unit is level in the appliance. Next ensure that the appliance is installed level in the RV. If there is still water overflow, adjustment of the water fill screw is necessary. Locate the screw on the ice maker assembly. Turn the screw as necessary toward the "+" or "-" side. One full turn of the screw will make an 18 cc change in the amount of water. DO NOT turn the screw more than one full turn at a time. If the water level is too high, it can also cause the ejector blades to become frozen in the ice. Follow the procedures above to correct the problem.

**WATER FILL ADJUSTING SCREW  
1 FULL TURN = 18 cc's CHANGE**



**10.11 Water Supply**

To operate properly, the water pressure in the water supply line must be between 15 lbs. PSI and 125 lbs. PSI. Lower water pressure, water turned off, or obstructions or air in the water line can cause low or no ice production. First check to see that the water supply is fully turned on. Visually check the line for kinks, etc. which might obstruct the flow of water. To remove trapped air, loosen the connection at the water solenoid valve of the appliance. Ensure that pressurized water is reaching this point, and bleed off any air in the line. Retighten the connection, making sure there are no leaks.

**10.12 Wiring Schematics**

**⚠ WARNING**

**This is an energized circuit. Shock can occur if not tested properly. Testing is to be done by a qualified service technician.**

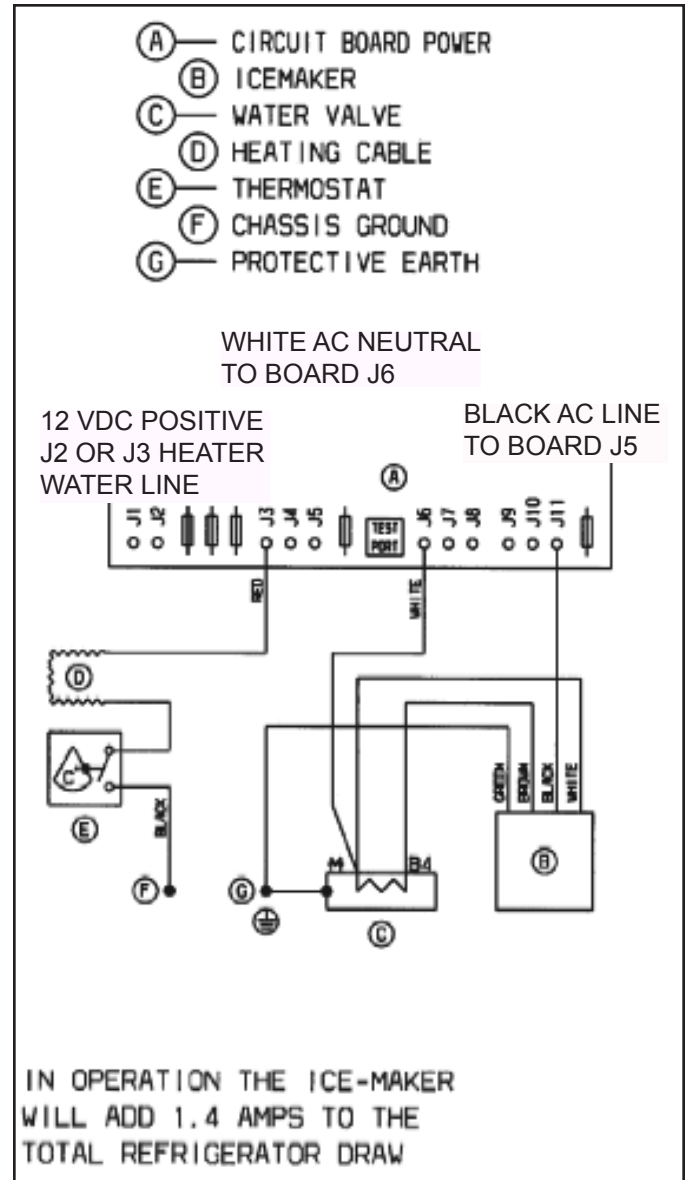
Refer to the wiring diagram supplied with the unit you are working on, and make sure all wiring connections are correct and tight. There are 4 wires coming from the ice maker.

**BLACK:** Connected to incoming hot from AC power source. This could be split wire at the AC BLACK at the circuit board or a separate power cord.

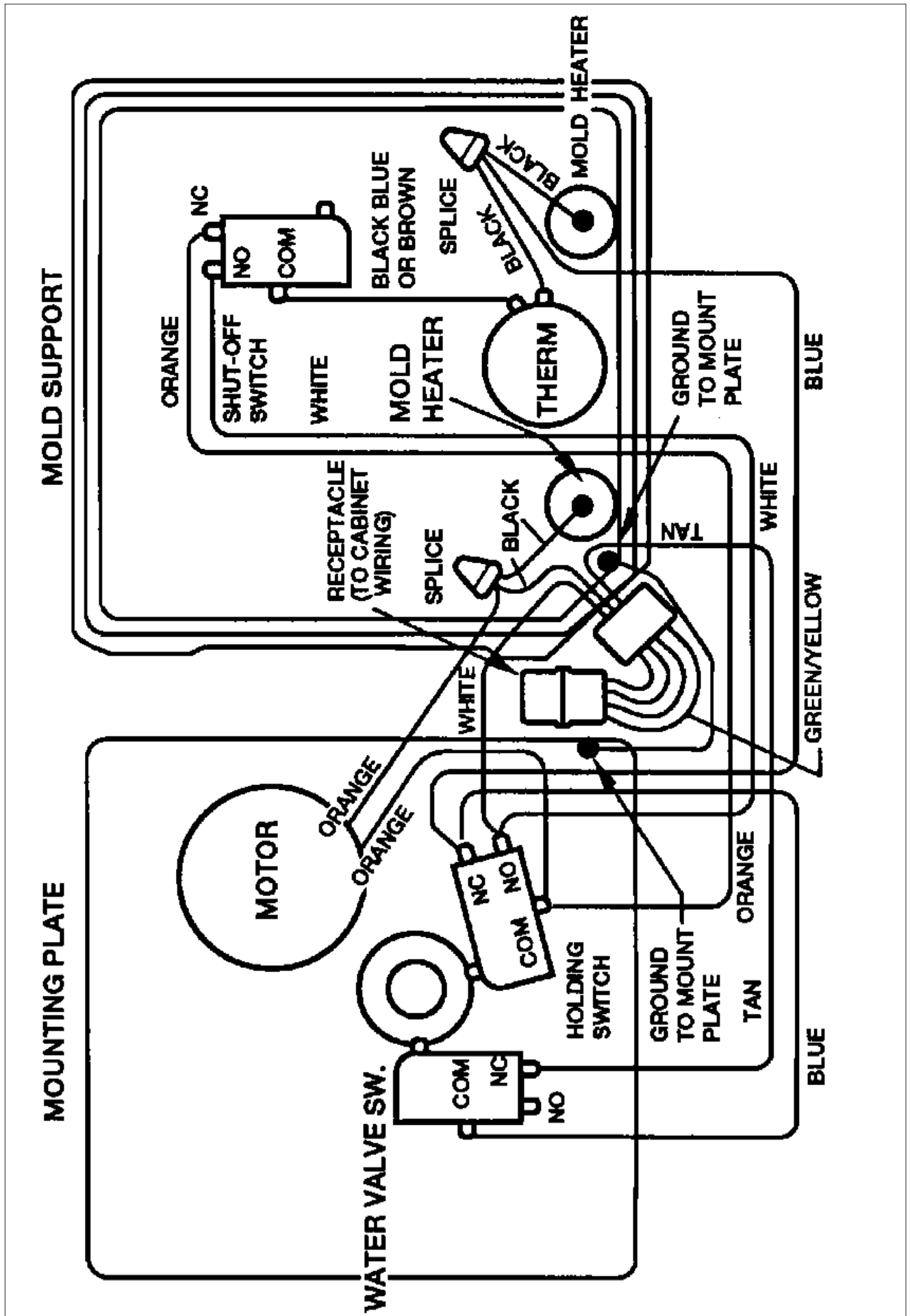
**WHITE:** Connected to either side of the water valve and will split at the valve and hook-up to the incoming WHITE from the power source.

**GREEN/YELLOW :** Connected to chassis ground.

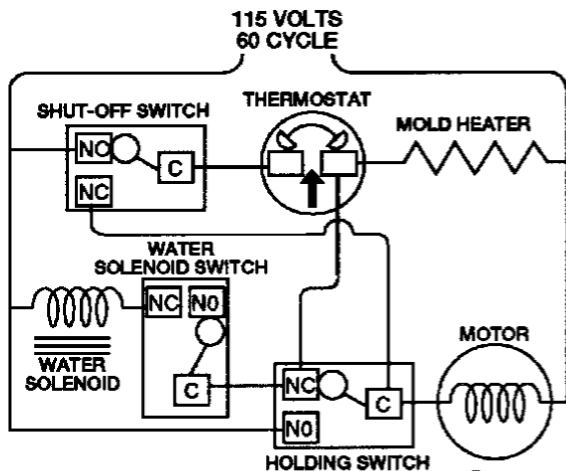
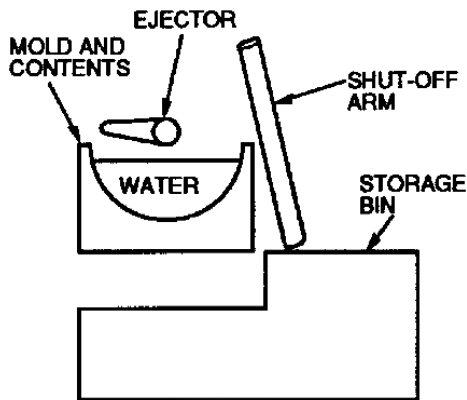
**BROWN:** Connected to either side of water valve.



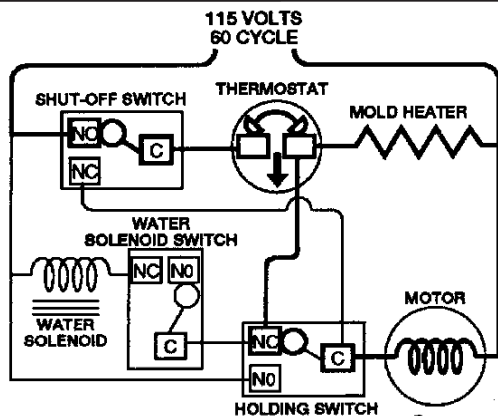
ICE MAKER TYPICAL WIRING DIAGRAM



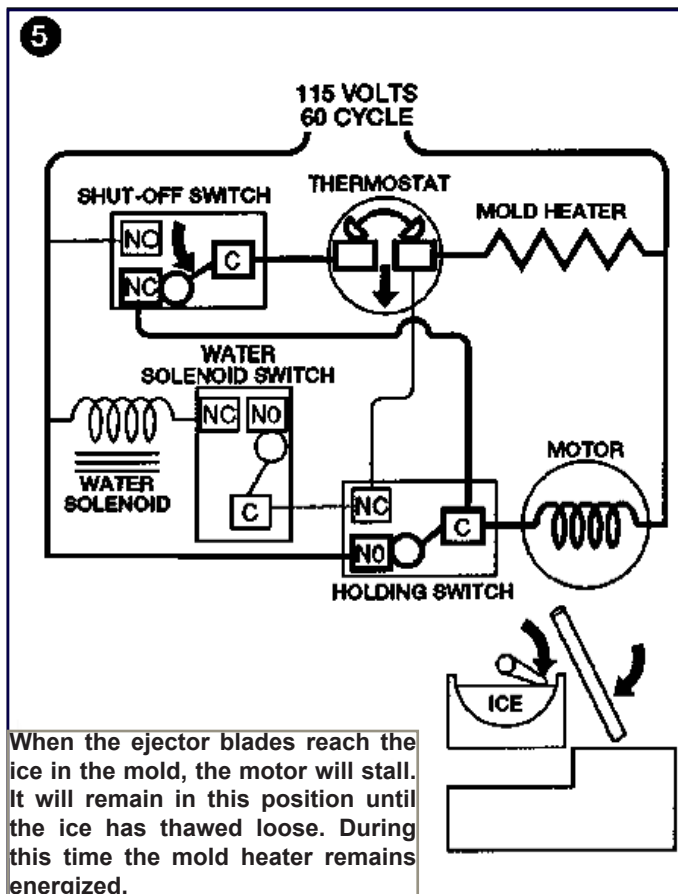
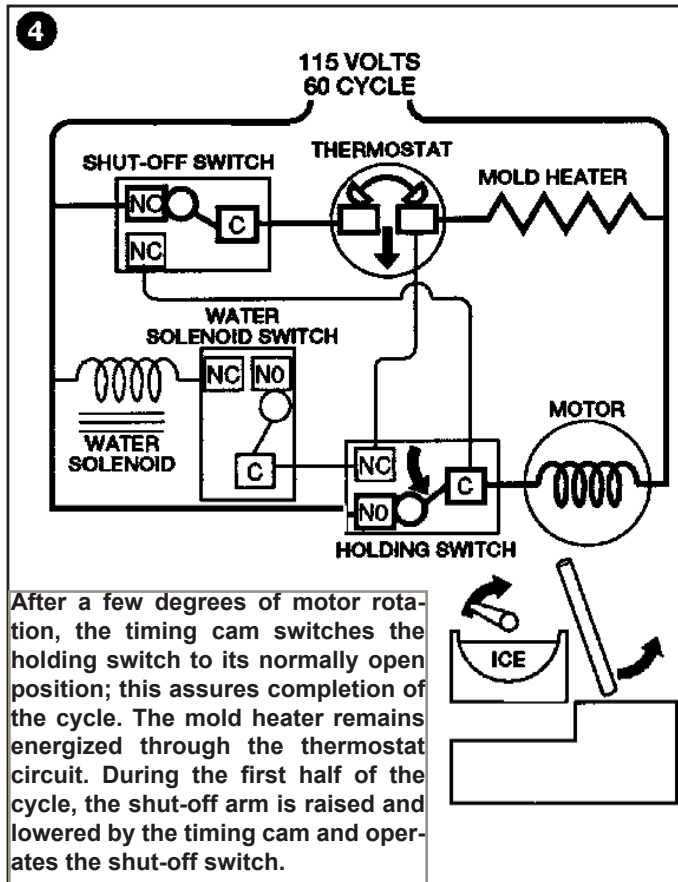
NOTE THE RELATIVE POSITION OF THESE COMPONENTS IN THE FOLLOWING SCHEMATICS



This is a freeze cycle. The mold is filled with water. The thermostat is open. All components are de-energized.

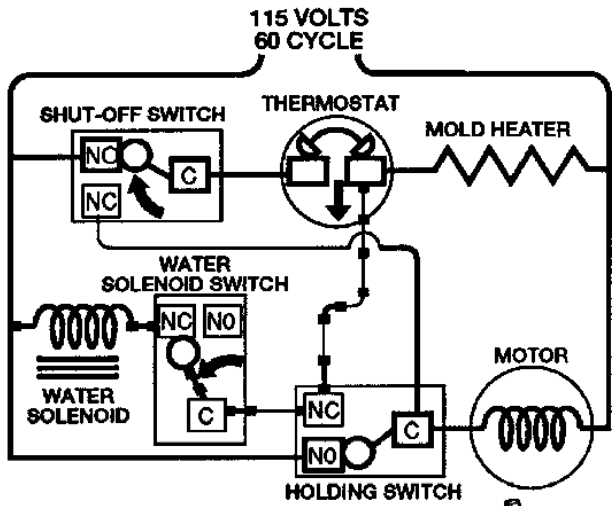


This is the start of an ejection cycle. the thermostat switches to its closed position after being sufficiently cooled by the ice in the mold. The mold heater and motor are now energized. The ejector blades begin to turn.

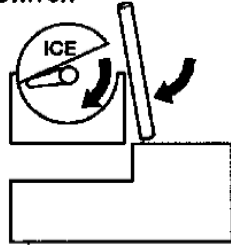




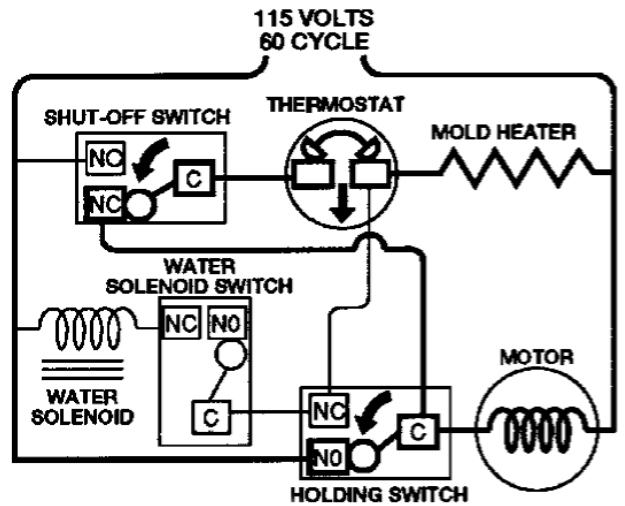
6



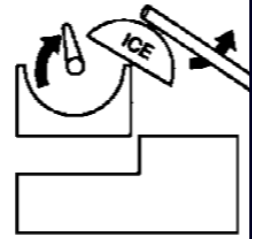
Near the completion of the first revolution, the timing cam closes the water valve switch. However since the thermostat is still closed the mold heater circuit is energized. Current will not pass through the water valve solenoid and its switch. (Electrical current follows the path of least resistance.)



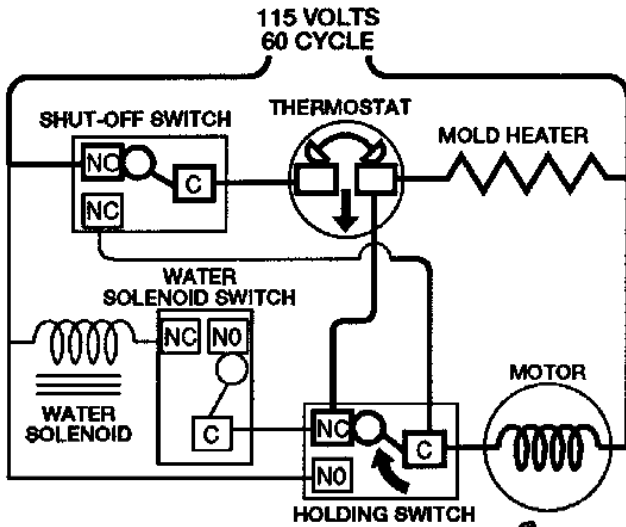
8



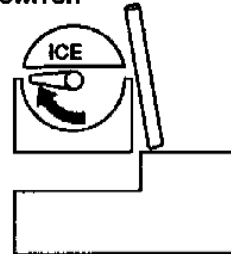
Once again after a few degrees of rotation the timing cam closes the holding switch providing a circuit to the motor that will assure completion of this revolution. The mold heater remains energized. The shut-off arm will raise and lower again operating its switch. The ice that was ejected during the first revolution is dumped into the storage bin.



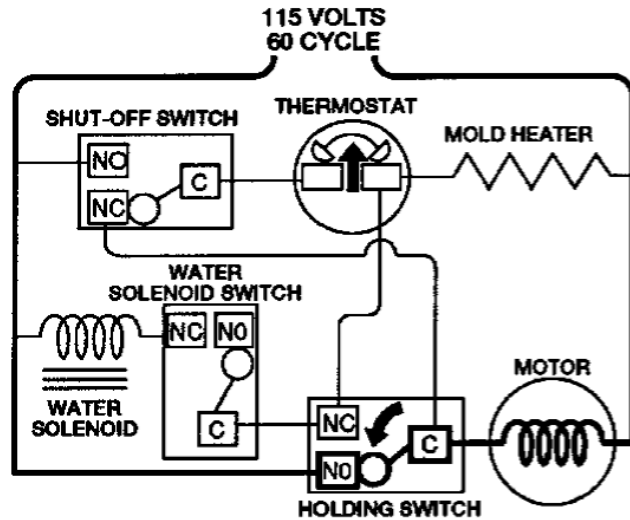
7



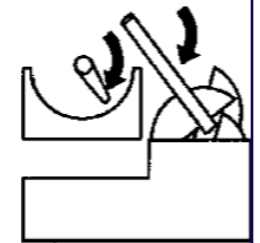
At the end of the first revolution the timing cam opens the holding switch. However, since the thermostat is still closed a second revolution begins.



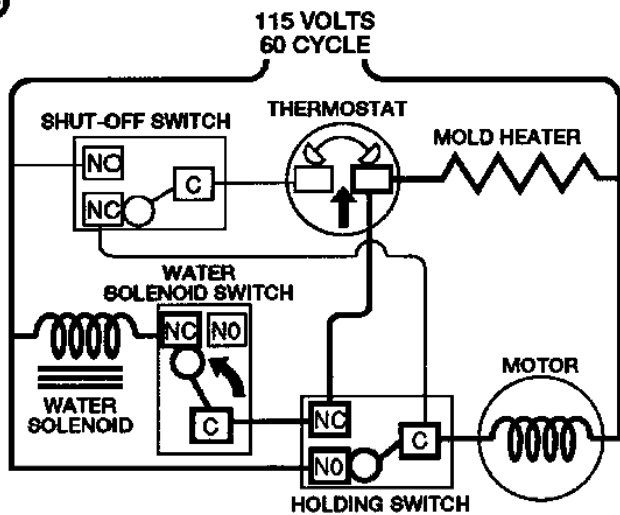
9



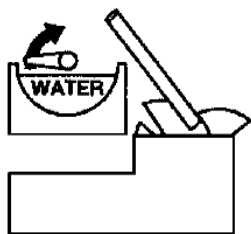
Some time during the second revolution the mold heater resets the thermostat. at this time, the mold heater is de-energized. If the storage bin is full, the shut-off arm will remain in a raised position.



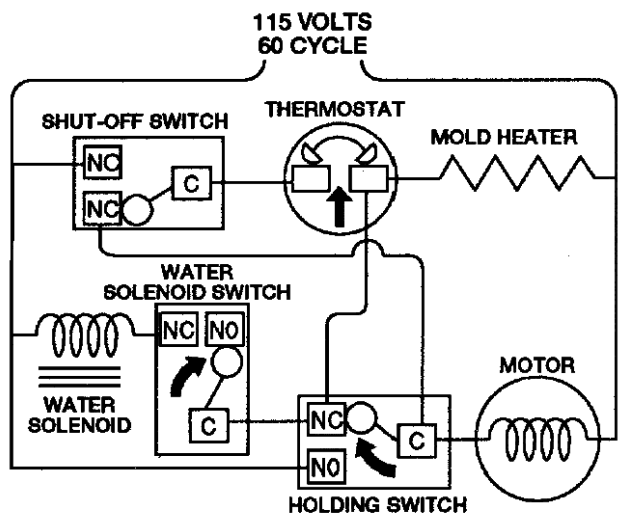
10



Near the completion of the second revolution the timing cam again closes the water valve switch. This time a circuit is completed through the water valve solenoid, its switch and mold heater. The water valve solenoid received about 105 volts. The remaining 10 volts to the mold heater are not noticeable. When the water valve solenoid is energized, the valve opens and water refills the mold.



11



The ejection cycle ends the moment that the holding switch is closed by the timing cam. The water valve switch is also opened. If the storage bin is full, as shown here, additional cycles will not start until sufficient ice is used to lower the shut-off arm, thus operating its switch.

